

AquaFalls Waterfall Filters

P
SERIES
O

Models

AT • AT2 • AS • AS2 • AM • AM2 • AL • AL2



Features

- Designed for use with skimmers for a professional looking pond
- Ideal for the beginning of a stream or waterfall
- Simulated rock built into lip, simply bolt lip to filter for easy installation
- Bulkhead fittings on either side of filter allowing incoming water from either side — use supplied plug on unused side or install ball valve to use as drain (excludes mini)
- Sturdy construction allows for filter to be buried, once installed they are hidden from view
- Can be used with rock/plant grate — available for small, medium and large
- Termination strips available instead of lip for use with real stone, sold separately
- Can be ordered with Matala filter pads, the best quality filter pads on the market
- Five year warranty

Applications

- Waterfalls
- Just-A-Falls
- Streams
- Ponds
- Watergardens



Extra strong grate available for the small, medium and large AquaFalls

AquaFalls are available with termination strips instead of lip for those who prefer to use real stone



Mini AquaFalls Filter

Features

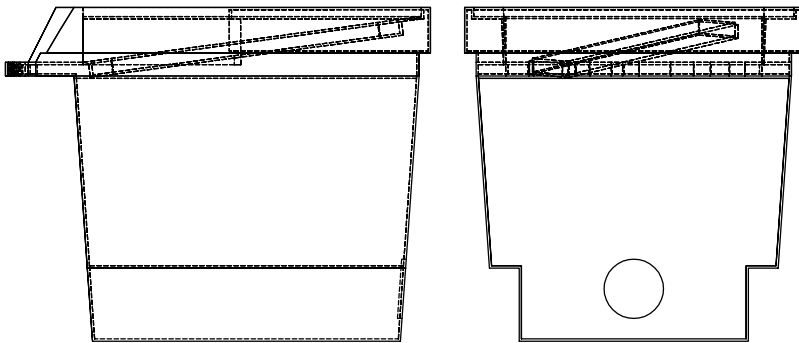
- Designed for use with skimmers for a professional looking pond
- Ideal for the beginning of a stream or waterfall
- Simulated rock built into lip, simply bolt lip to filter for easy installation
- One 1 1/2" inlet fitting on back of filter
- Mini filter comes standard with two filter pads and one large mesh bag for filter media
- Sturdy construction allows for filter to be buried, once installed they are hidden from view
- Termination strips available instead of lip for use with real stone, sold separately
- Can be ordered with Matala filter pads, the best quality filter pads on the market
- Five year warranty



Applications

- Waterfalls
- Just-A-Falls
- Streams
- Ponds
- Watergardens

Dimensional Drawings



Dimensions are approximate and for reference only.

Exploded View

Specifications

Part #	Description	Pond Size	gpm	Size	Bulkhead/ Inlet Fittings	Waterfall Opening	Weight
AT	Mini AquaFalls Filter	up to 1200 gallons	40	18" x 24" x 18"	1 1/2" (1)	14"	23 lbs.
AT2	Mini AquaFalls Filter w/Matala Pads	up to 1200 gallons	40	18" x 24" x 18"	1 1/2" (1)	14"	25 lbs.



Small AquaFalls Filter

Features

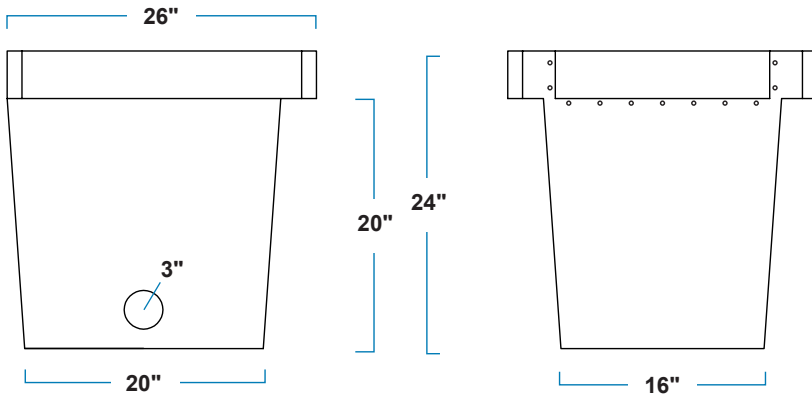
- Designed for use with skimmers for a professional looking pond
- Ideal for the beginning of a stream or waterfall
- Simulated rock built into lip, simply bolt lip to filter for easy installation
- Two 2" inlet fittings on each side of filter, plug included for inlet not used
- Small filter comes standard with three filter pads and two mesh bags for filter media
- Sturdy construction allows for filter to be buried, once installed they are hidden from view
- Can be used with rock/plant grate — available for small, medium and large
- Termination strips available instead of lip for use with real stone, sold separately
- Can be ordered with Matala filter pads, the best quality filter pads on the market
- Five year warranty



Applications

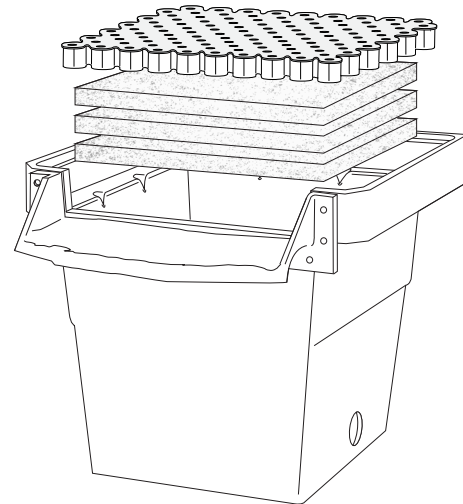
- Waterfalls
- Just-A-Falls
- Streams
- Ponds
- Watergardens

Dimensional Drawings



Dimensions are approximate and for reference only.

Exploded View



Specifications

Part #	Description	Pond Size	gpm	Size	Bulkhead/ Inlet Fittings	Waterfall Opening	Weight
AS	Small AquaFalls Filter	up to 2500 gallons	70	26" x 26" x 26"	2" (2)	18"	33 lbs.
AS2	Small AquaFalls Filter w/Matala Pads	up to 2500 gallons	70	26" x 26" x 26"	2" (2)	18"	35 lbs.



Medium AquaFalls Filter

Features

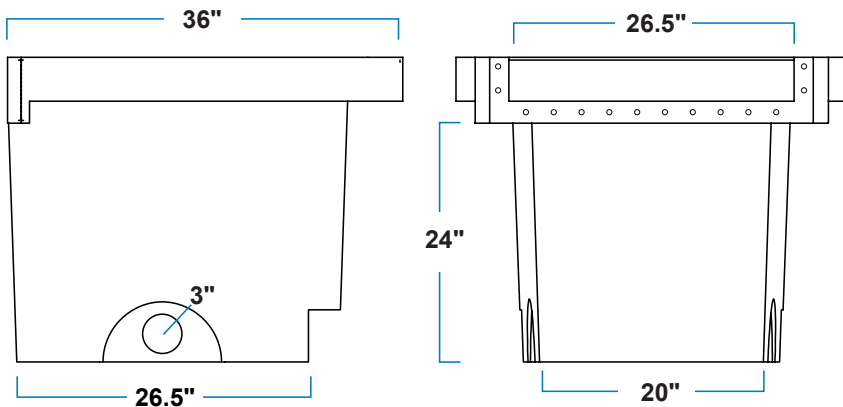
- Designed for use with skimmers for a professional looking pond
- Ideal for the beginning of a stream or waterfall
- Simulated rock built into lip, simply bolt lip to filter for easy installation
- Two 2" inlet fittings on each side of filter, plug included for inlet not used
- Medium filter comes standard with three filter pads and three mesh bags for filter media
- Sturdy construction allows for filter to be buried, once installed they are hidden from view
- Can be used with rock/plant grate — available for small, medium and large
- Termination strips available instead of lip for use with real stone, sold separately
- Can be ordered with Matala filter pads, the best quality filter pads on the market
- Five year warranty



Applications

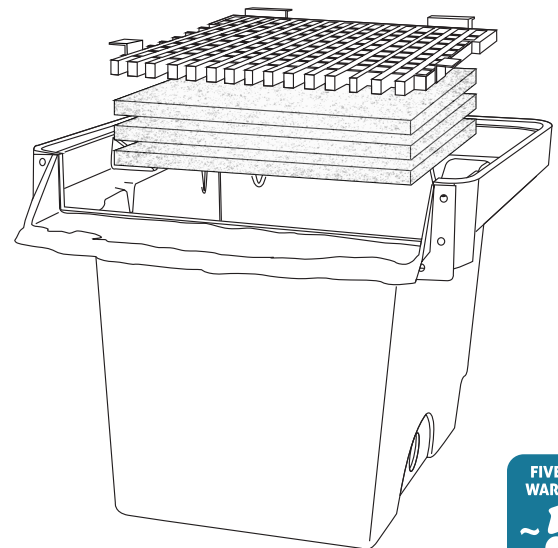
- Waterfalls
- Just-A-Falls
- Streams
- Ponds
- Watergardens

Dimensional Drawings



Dimensions are approximate and for reference only.

Exploded View



Specifications

Part #	Description	Pond Size	gpm	Size	Bulkhead/ Inlet Fittings	Waterfall Opening	Weight
AM	Medium AquaFalls Filter	up to 6000 gallons	120	35" x 36" x 28"	2" (2)	26"	43 lbs.
AM2	Medium AquaFalls Filter w/Matala Pads	up to 6000 gallons	120	35" x 36" x 28"	2" (2)	26"	46 lbs.

Large AquaFalls Filter

Features

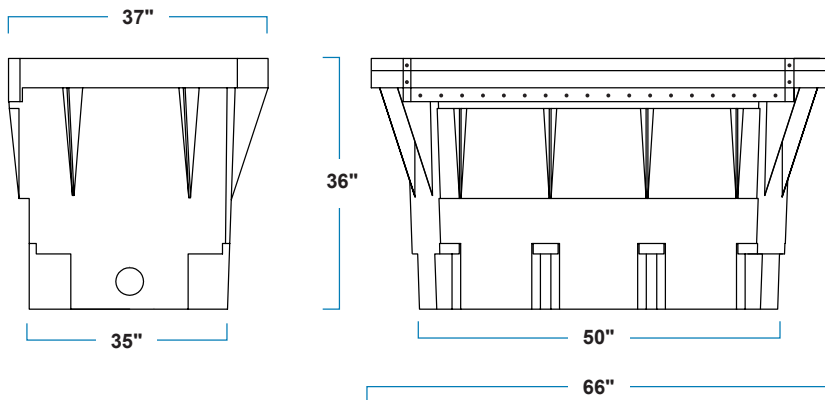
- Designed for use with skimmers for a professional looking pond
- Ideal for the beginning of a stream or waterfall
- Simulated rock built into lip, simply bolt lip to filter for easy installation
- Two 3" inlet fittings on each side of filter, plug included for inlet not used
- Large filter comes standard with three filter pads and six mesh bags for filter media
- Sturdy construction allows for filter to be buried, once installed they are hidden from view
- Can be used with rock/plant grate — available for small, medium and large
- Termination strips available instead of lip for use with real stone, sold separately
- Can be ordered with Matala filter pads, the best quality filter pads on the market
- Five year warranty



Applications

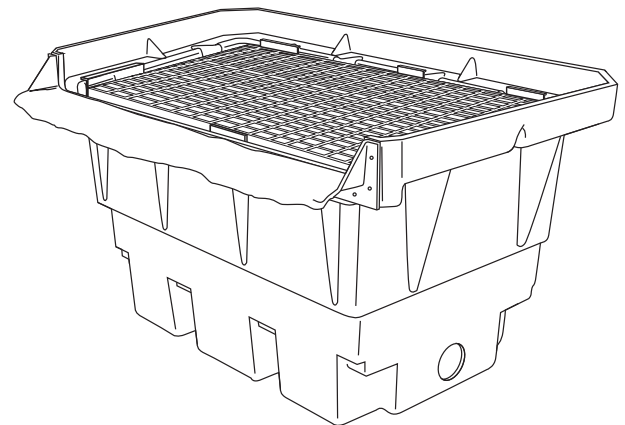
- Waterfalls
- Just-A-Falls
- Streams
- Ponds
- Watergardens

Dimensional Drawings



Dimensions are approximate and for reference only.

Exploded View



Specifications

Part #	Description	Pond Size	gpm	Size	Bulkhead/ Inlet Fittings	Waterfall Opening	Weight
AL	Large AquaFalls Filter	up to 15000 gallons	250	36" x 65" x 36"	3" (2)	50"	73 lbs.
AL2	Large AquaFalls Filter w/Matala Pads	up to 15000 gallons	250	36" x 65" x 36"	3" (2)	50"	75 lbs.

