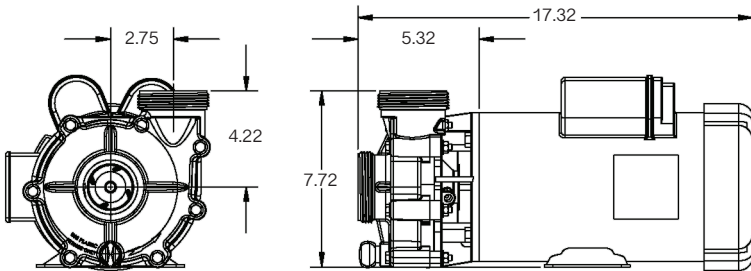


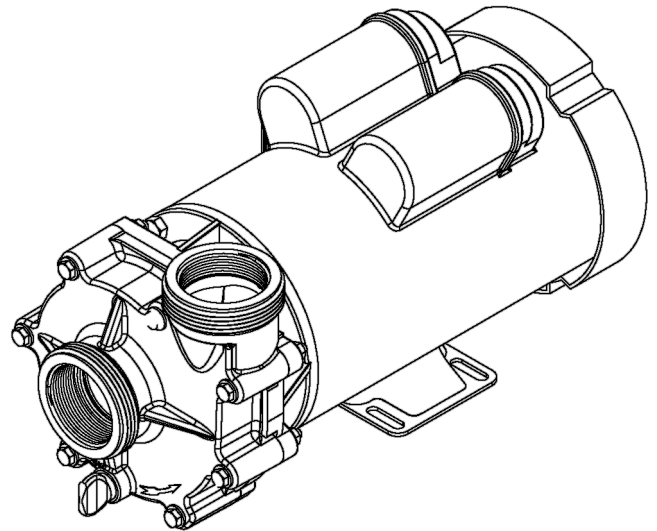


EX Series - EX13200

For the application that demands high performance, we offer the EX Series External High Head Pumps with abundant flow and pressure. These pumps put the horsepower and efficiency into the pressure side of the performance requirement but maintains flow rates that will meet the most challenging of scenarios. Motor is totally-enclosed, fan-cooled for durability. 115V or 230 volt. Three year limited warranty. Made in USA. Supplied with an 8-foot, 230V power cord.

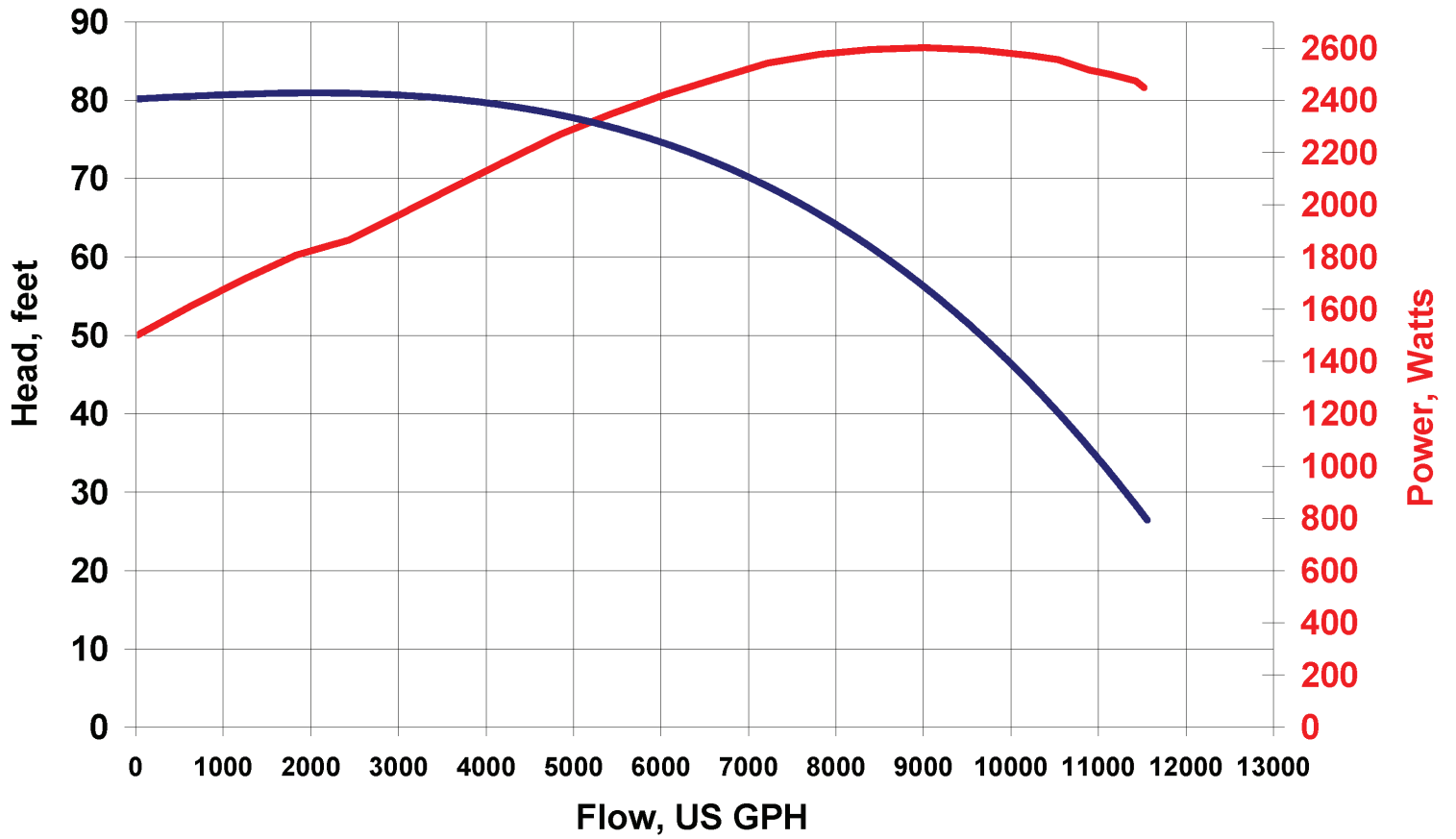


*Dimensions and illustrations are approximate and for reference only



Flow At Total Dynamic Head

Model	Max Flow GPH	Max Head Feet	Max Power Watts	Max Current Amps	Flow At Total Dynamic Head					Voltage	Motor Enclosure	
					Flow	40'	50'	60'	70'			80'
EX13200	13200	81'	2595	11.5	GPM	175	160	141	117	60	230	TEFC
Inlet & Discharge 2" fpt or 2" slip with unions (included)					GPH	10500	9600	6480	7020	3600		



Reliability You Can Count On!



©2013 EasyPro, Inc