

SWS2DN • SWS2RN
SWS2SN • SWS3RN

Vianti Falls

by EasyPro® Pond Products



Stainless Steel Wall Scuppers

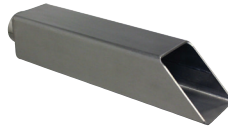
Product Overview & Specifications



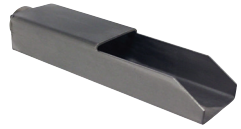
SWS2DN



SWS2RN



SWS2SN



SWS3RN

Product Introduction

Thank you for purchasing EasyPro's Vianti Falls scupper. This stainless steel spillway is ideal for formal water features. This scupper can accentuate the complete water feature in an endless number of possible applications.

Care

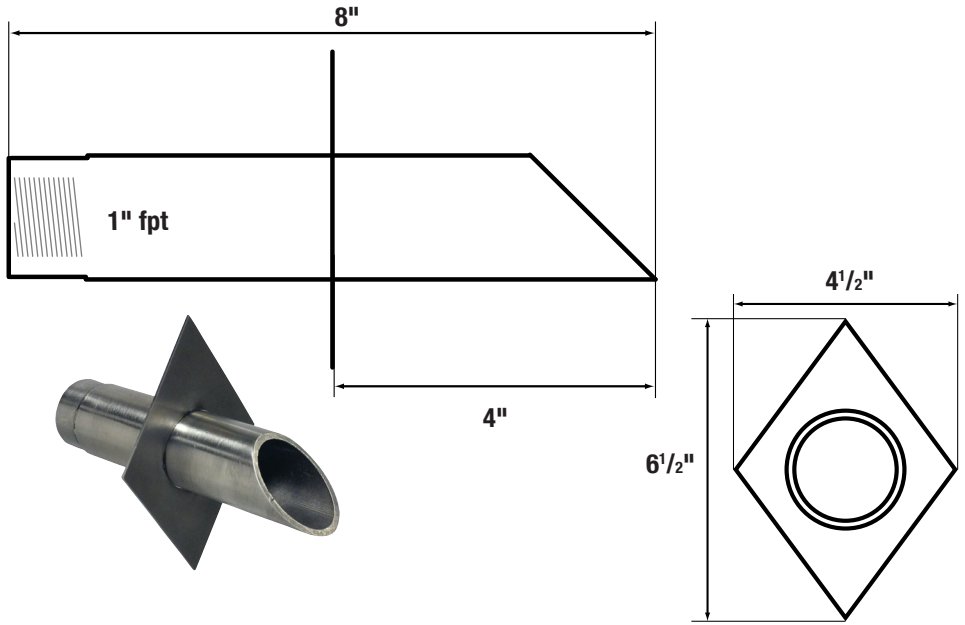
Residual metal particles during the manufacturing process may cling to the surface of the scupper and rust during use. This mild surface rust is not inherent to the stainless steel scupper unit and can be easily wiped off with a damp rag.

Product Specifications

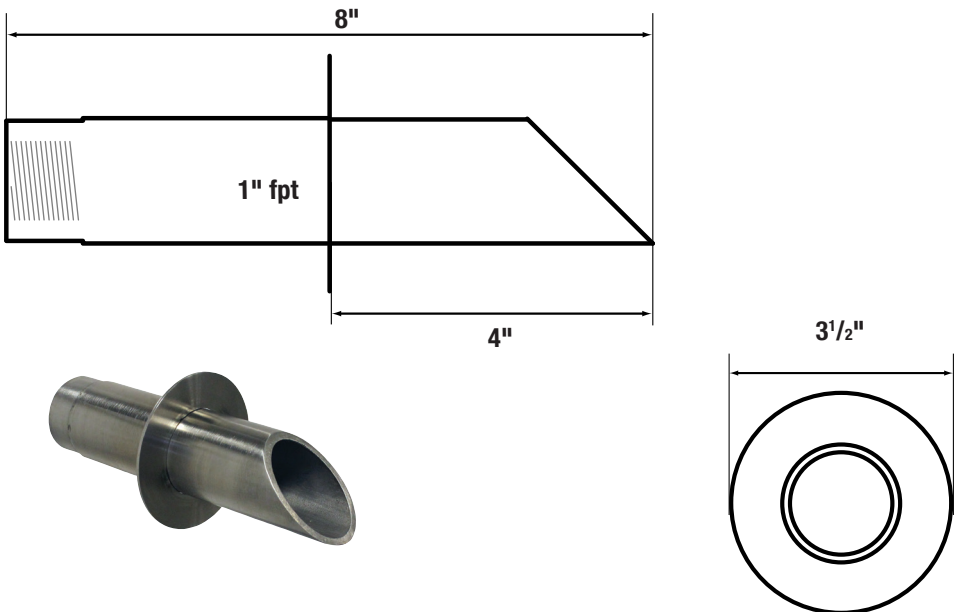
- 1" fpt inlet
- 5-10 gpm recommended flow rate
- Constructed with 304 Stainless Steel
- Electropolished for extra protection in pools and other chlorinated systems.
- Bonding lugs added

Scupper Dimensions *Drawings are not to scale.*

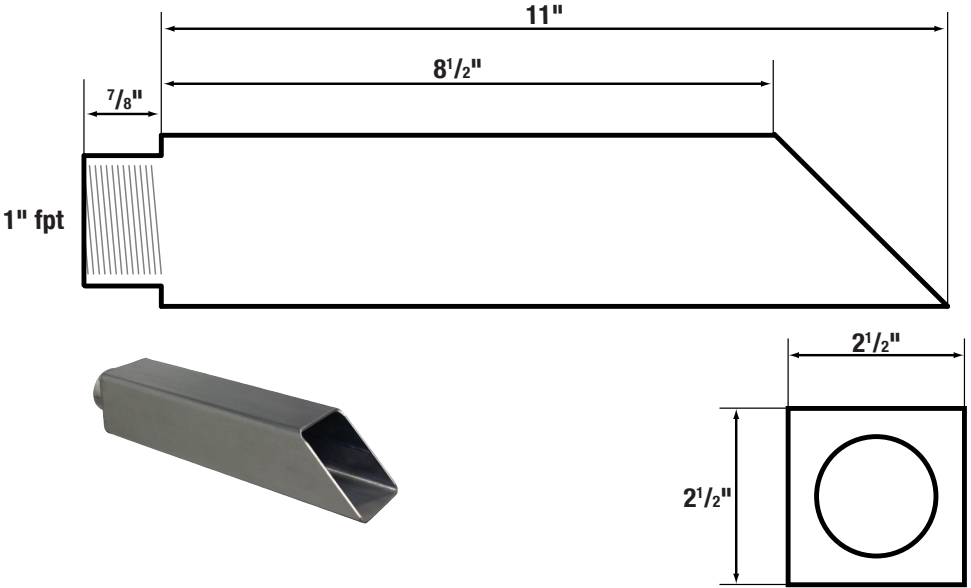
SWS2DN — 2" round wall scupper w/ diamond trim plate



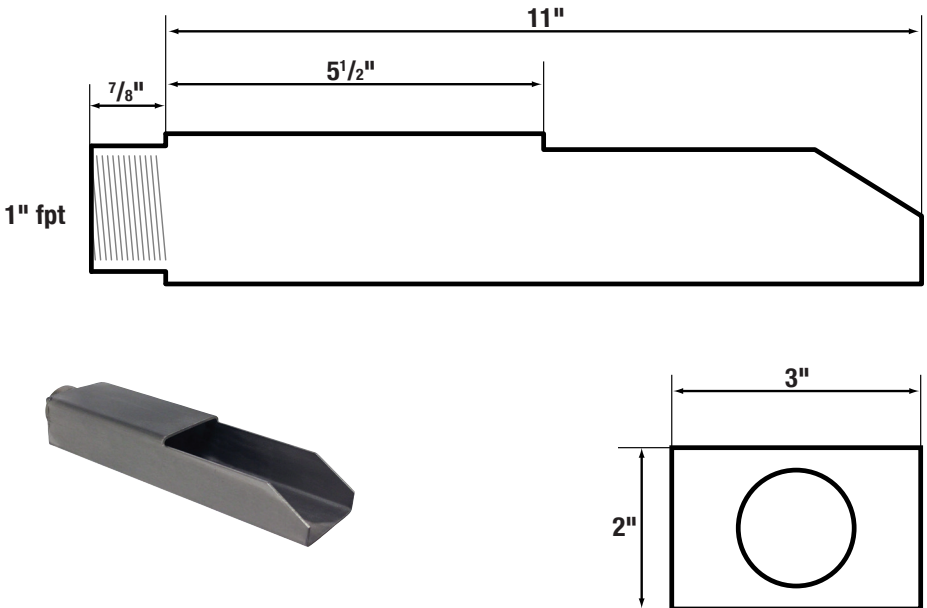
SWS2RN — 2" round wall scupper w/ round trim plate



SWS2SN — 2½" square wall scupper



SWS3RN — rectangle channel wall scupper



EasyPro Pond Products Limited Warranty

EasyPro Pond Products ("EasyPro") warrants to the purchaser that this product ("Product") will be free from any mechanical or material defects for a period of **three years** from the date of purchase. This warranty only covers properly installed and maintained Products sold by authorized EasyPro Sellers who are subject to and follow EasyPro's quality control standards. Please note that because EasyPro is unable to control the quality of Products sold by unauthorized sellers, unless otherwise prohibited by law, this warranty does not cover Products purchased from unauthorized sellers.

This warranty does not cover normal wear and tear, nor any deterioration suffered through overloading, improper use, negligence, improper installation, acts of God or accident. Similarly, any modification made by the purchaser to the Product will cause the warranty to be null and void. This warranty does not cover any cost associated with the installation or removal of the Product subject to a warranty claim.

All returned items will be inspected to determine cause of failure before a warranty claim is approved. The exclusive remedies provided hereunder shall, upon EasyPro's inspection and option, be either repair or replacement of the Product or parts covered under this warranty.

Making a Claim: A Return Authorization ("RA") number must first be obtained by calling EasyPro at 800-448-3873 or via email at warranty@easypro.com. It is the purchaser's responsibility to pay the return shipping charges. Be sure to include the RA number, original receipt (in the form of an invoice or sales receipt), your name, your return address and your phone number inside of the package. No warranty claims will be honored without the original receipt that shows that your purchase was made from an Authorized EasyPro Seller. Ensure the product is properly packaged and insured for the replacement value. Damage due to improper packaging is the responsibility of the sender.

ALL OTHER EXPRESS OR IMPLIED WARRANTIES INCLUDING MERCHANTABILITY OF FITNESS FOR A PARTICULAR PURPOSE ARE HEREBY LIMITED IN DURATION TO THE DURATION OF THE WARRANTY AS DESCRIBED ABOVE. Some States do not allow limitations on how long an implied warranty lasts, so the above limitations may not apply to you.

EasyPro shall not be held liable for any damages caused by defective components or materials of this Product; or for loss incurred because of the interruption of service; or any consequential/incidental damages and expenses arising from the production, sale, use or misuse of this Product. Some States do not allow the exclusion or limitation of incidental or consequential damages, so the above limitation or exclusion may not apply to you.

EasyPro shall not be held liable for any loss of fish, plants or any other livestock as a result of any failure or defect of this Product. This warranty gives you specific legal rights, and you may also have other rights that vary from State to State.