

TH SERIES PUMPS

Submersible Pond & Waterfall Pumps

Over 90,000 TH Pumps Sold!



Stainless Steel Pumps

Energy efficient, long-lasting - Great for waterfalls and streams

The "TH Series" of pumps has proven to be a great choice for ponds, waterfalls, fountains and similar applications. Thousands of these pumps are in use throughout North America in a wide variety of continuous duty applications. Compact design is ideal for use in skimmers. One of the industry's best selling pumps.

- Rugged motor — designed for long life, continuous duty operation; motor housing is corrosion-resistant stainless steel
- Low maintenance — pump casing is made from abrasion-resistant, fiber reinforced plastic for maximum life
- Vortex design prevents clogging
- Built-in overload and overheat motor protection
- 2" female threaded outlet

Two year warranty



Optional bottom screen available!

Part #	Maximum Flow	hp	Amps	Volts	Cord Length	gpm @ feet of head					Maximum Head	
						0'	5'	10'	15'	20'		25'
TH150	3100 gph	1/4	2.6-3.1	115	20'	46	35	23	10	-	23'	23'
TH250	4100 gph	1/3	3.0-4.2	115	20'	65	54	43	30	15	30'	30'
TH400	5100 gph	1/2	3.7-6.0	115	20'	83	73	60	46	34	36'	36'
TH750	6000 gph	1	6.0-9.9	15	20'	98	91	83	73	62	46'	46'



#H2OYEAH!

800-448-3873

EASYPRO.COM

PUMP IT UP!

TH SERIES PUMPS

Submersible Pond & Waterfall Pumps

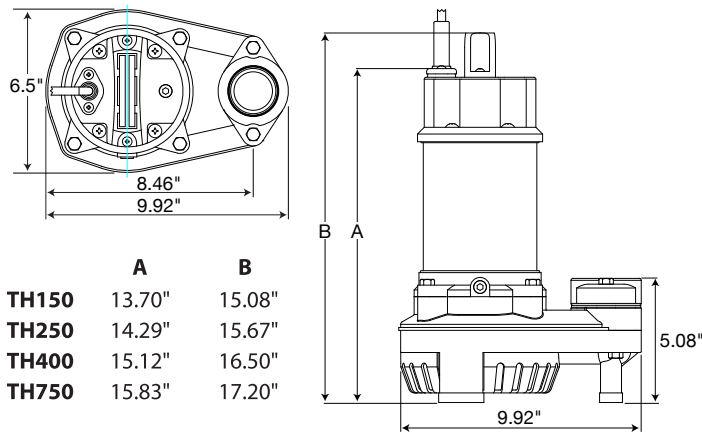
Features

EasyPro TH Series pumps are ideal for ponds, waterfalls, fountains and other applications where continuous duty, water circulation is required. Their compact design makes them a great choice for pond skimmers. With field proven reliability TH Series pumps from EasyPro are one of the most popular pumps in the pond and water feature industry.

- Rugged motor, designed for long life, continuous duty operation
- Four models with flows up to 6,000 gph are available in 115 or 230 volt
- 304 stainless steel motor housing
- Continuous duty motor is air filled for maximum heat dissipation and reliability
- Silicon carbide and carbon ceramic double mechanical seals
- Built in thermal overload protection
- Wear and clog resistant vortex impeller
- 2" female threaded outlet
- 20' power cord, 50' and 100' corded units available in 115 volt
- Two year limited warranty

Dimensional Drawings

Dimensions are approximate and for reference only.



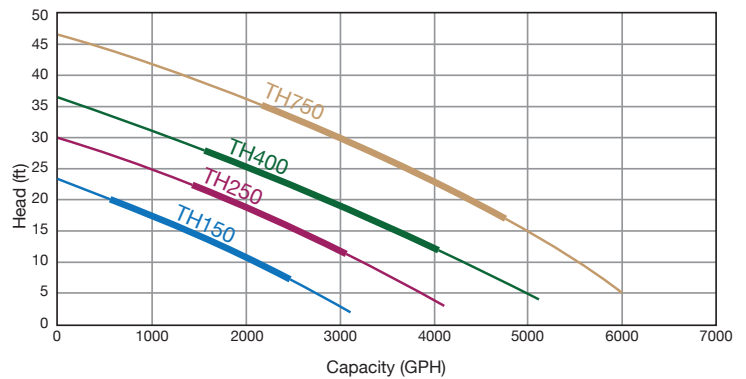
A & B dimensions vary by model

*Shown with optional pump screen (THPS) - sold separately

Applications

- Water falls & streams
- Water features
- Ponds
- Fountains
- Koi ponds

Performance Curves



Best efficiency

Specifications

PART #	HP	MAX. GPH FLOW	MAX. HEAD	WATTS	VOLTS	MAX. AMPS	CORD LENGTH	PUMP WEIGHT
TH150	1/4	3100	23'	270-350	115	2.6-3.1	20'	15 lbs.
TH1502	1/4	3100	23'	270-350	230	1.3-1.5	20'	15 lbs.
TH250	1/3	4100	30'	345-500	115	3.0-4.2	20'	18 lbs.
TH2502	1/3	4100	30'	345-500	230	1.5-2.1	20'	18 lbs.
TH400	1/2	5100	36'	440-670	115	3.7-6.0	20'	20 lbs.
TH4002	1/2	5100	36'	440-670	230	1.8-3.0	20'	20 lbs.
TH750	1	6000	46'	600-910	115	6.0-9.9	20'	24 lbs.
TH7502	1	6000	46'	600-910	230	3.0-4.9	20'	24 lbs.

Watt and amp draw ratings are typical but can vary with operating conditions



800-448-3873

EASYPRO.COM

TH SERIES PUMPS

Submersible Pond & Waterfall Pumps

EasyPro TH Series Specifications

General information

Discharge size	2" fpt
Solid Passage Diameter	1.18" (30 mm)
Power Cable	20' (50' and 100' optional)
Impeller type	Vortex impeller
Range of horsepower	1/4, 1/3, 1/2, 1
Range of Performance	Up to 100 (US GPM) 2' to 46' total head
Liquid Type	Clear water, waste water
Liquid Temperature	32°-104°F (0°-40°C)

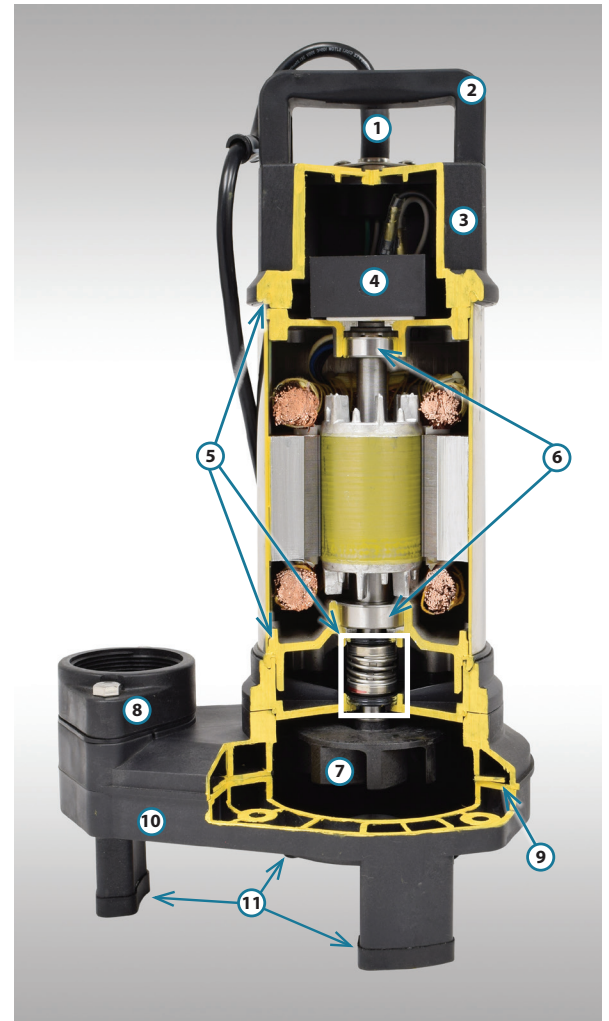
Motor

Voltage/Hz	115 or 230v, 60 Hz
Speed	3450 RPM
Capacitor Type	Running Capacitor
Insulation Class	NEMA Class B

Material

Pump Housing	Nylon 66 + 30% glass fiber
Impeller	PPO + 20% glass fiber
Pump Shaft	410 Stainless steel
Motor Housing	304 Stainless steel
Fasteners	304 Stainless steel
Bearing	SUJ2 Bearing steel
Type	Pre-lubricated double shielded
Mechanical Seal	Spring loaded double mechanical
Upper Side	Carbon (CA) / Ceramic (CE)
Lower Side	Silicon Carbide (SiC) / Silicon Carbide (SiC)

Internal View & Parts



TH Pumps

Mid 2009 & Newer

1. Power Cord w/Mounting plate
2. Handle
3. Top pump cover
4. Capacitor
5. Seal Kit
6. Bearing Set
7. Impeller
8. Outlet Flange
9. Bottom Gasket
10. Pump Base
11. Rubber Foot
12. Bottom Screen



Optional bottom screen



800-448-3873

EASYPRO.COM