



Brass Wall Scuppers

Product Overview & Specifications

Product Introduction

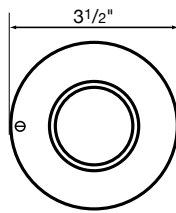
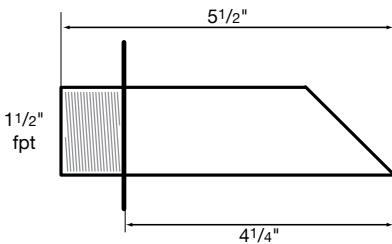
Thank you for purchasing EasyPro's Vianti Falls Scupper. This brass spillway is ideal for formal water features and can accentuate the complete water feature in an endless number of possible applications.

Scupper Dimensions and Specifications

NOTE: Drawings are not to scale.

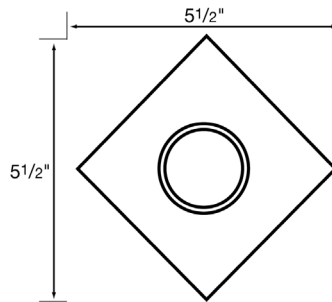
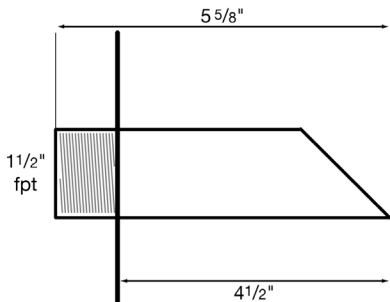
BWS2RN 2" round wall scupper w/round trim plate *Ground screw included*

Recommended Flow Rate: 5-15 gpm



BWS2D 2" round wall scupper w/diamond trim plate *Ground screw included*

Recommended Flow Rate: 5-15 gpm



BWS2F 2" Antique round wall scupper w/round trim plate *Ground screw included*

Recommended Flow Rate: 10-20 gpm

