

KLC SERIES

LINEAR DIAPHRAGM AIR COMPRESSOR



Models

KLC25, KLC40, KLC60, KLC80, KLC100, KLC120



KLC aeration compressors are built for long life and easy maintenance. A great choice for applications that require constant aeration including koi ponds, water features, fish tanks and large aquarium systems. Compressors do not require lubrication and the top lid provides easy access to the filter and filter pad for easy inspection and replacement.

FEATURES

- Compact design and solid construction
- Quiet operation with low energy usage
- Reliable continuous duty or intermittent operation
- Thermal overload protection
- Aluminum casing for better ventilation and quieter output
- Simple maintenance
- Oil free, steady air flow
- Available in six models from 1.3 to 4.9 cfm
- Each unit comes complete with rubber feet and 6' cord
- CUL and UL listed for indoor and outdoor use
- Three year warranty

APPLICATIONS

- Pond aeration
- Aquaculture aeration
- Bait tank aeration
- Aquarium aeration
- Hydroponic and aquaponics
- Waste water and septic aeration
- Liquid agitation

Stratus KLC series linear air pumps by EasyPro Pond Products are Underwriters Laboratories (UL) certified in compliance to USA and Canada safety standards for household, commercial and industrial air compressors and vacuum pumps.



STRATUS
KLC
SERIES
KOI LOVING CARE
COMPRESSORS



Features

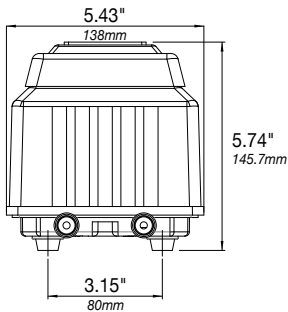
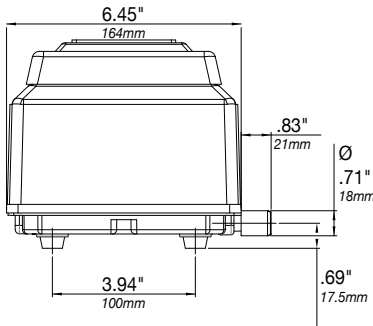
- Compact design and solid construction
- Quiet operation with low energy usage
- Reliable continuous duty or intermittent operation
- Thermal overload protection
- Oil free, steady air flow
- Complete with rubber feet and 6' cord
- CUL and UL listed for indoor and outdoor use
- Three year warranty

KLC25 Specifications:

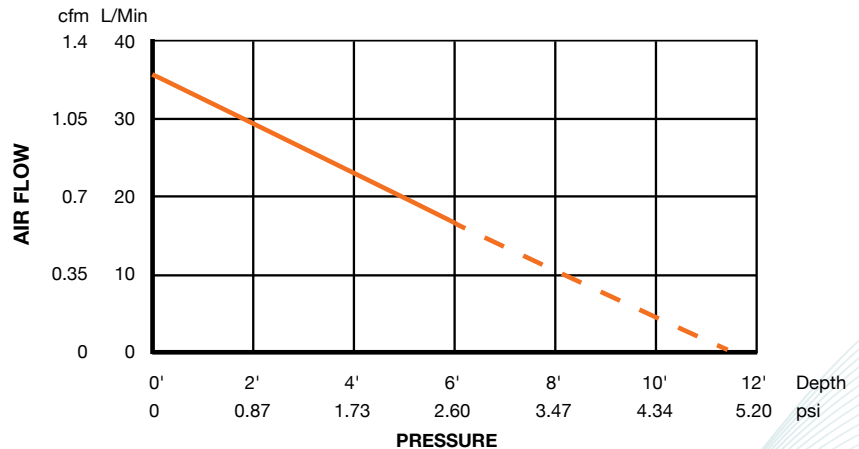
Model	KLC25
Rated Voltage	120v
Frequency	60 Hz
Rated Pressure - psi (kgf/cm ²)	1.42 (0.10)
Rated Air Flow - cfm (l/min)	0.92 (26)
Open Flow - cfm (l/min)	1.30 (37)
Closed Pressure - psi (kgf/cm ²)	5.00 (0.34)
Rated Amps	0.35A
Power	23W
Noise Level	35 dB
Weight - lbs (kg)	6.6 (3.0)
Outlet Diameter - inches (mm)	0.71 (18)
Dimensions - inches (mm)	5.43 w x 7.28 l x 5.74 h (138x185x146)

Specifications are subject to change without notice. Information presented is based on test results from nominal units

KLC25 Dimensions:



KLC25 Performance Curve:



Operation in dashed region will require more frequent replacement of diaphragms

KLC40 • KLC60 • KLC80

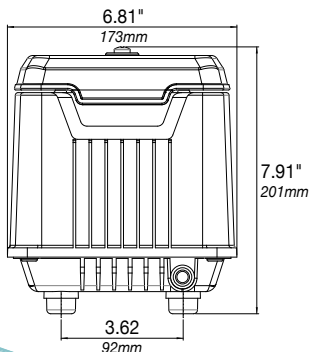
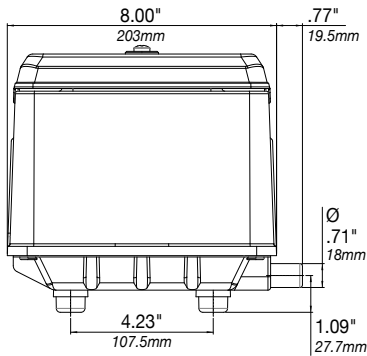


STRATUS KLC SERIES

KOI LOVING CARE COMPRESSORS



KLC40/KLC60/KLC80 Dimensions:



Features

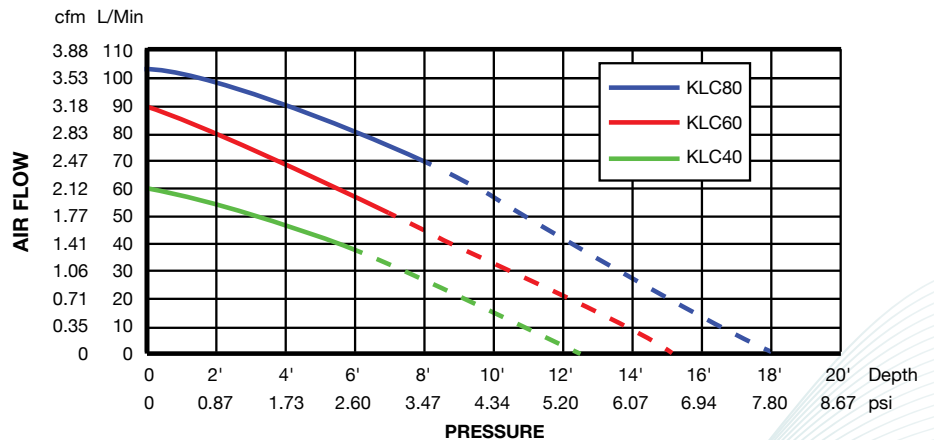
- Compact design and solid construction
- Quiet operation with low energy usage
- Reliable continuous duty or intermittent operation
- Thermal overload protection
- Oil free, steady air flow
- Complete with rubber feet and 6' cord
- CUL and UL listed for indoor and outdoor use
- Three year warranty

KLC40/60/80 Specifications:

Model	KLC40	KLC60	KLC80
Rated Voltage	120v	120v	120v
Frequency	60 Hz	60 Hz	60 Hz
Rated Pressure <i>psi (kgf/cm²)</i>	1.85 (0.13)	2.13 (0.15)	2.13 (0.15)
Rated Air Flow <i>cfm (l/min)</i>	1.59 (45)	2.30 (65)	2.97 (84)
Open Flow <i>cfm (l/min)</i>	2.12 (60)	3.17 (90)	3.70 (105)
Closed Pressure <i>psi (kgf/cm²)</i>	5.5 (0.38)	6.7 (0.46)	7.8 (0.54)
Rated Amps	0.63A	1.62A	2.15A
Power	36W	60W	70W
Noise Level	35 dB	38 dB	38 dB
Weight <i>lbs (kg)</i>	11.9 (5.4)	13.7 (6.2)	13.7 (6.2)
Outlet Diameter <i>inches (mm)</i>	0.71 (18)	0.71 (18)	0.71 (18)
Dimensions <i>inches (mm)</i>	6.81 w x 8.78 l x 7.91 h (173x223x201)		

Specifications are subject to change without notice. Information presented is based on test results from nominal units

KLC40/KLC60/KLC80 Performance Curve:



Operation in dashed region will require more frequent replacement of diaphragms

KLC100 • KLC120



STRATUS KLC SERIES

KOI LOVING CARE COMPRESSORS



Features

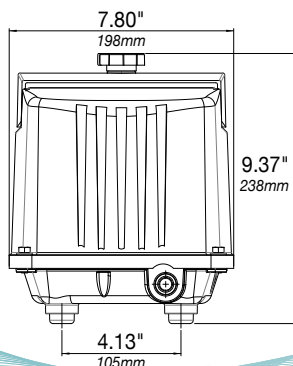
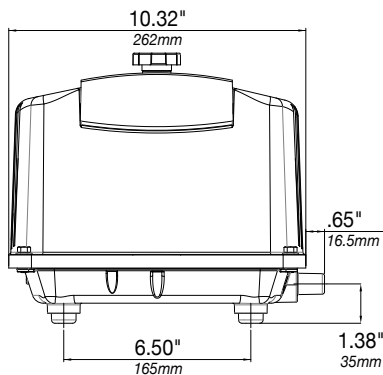
- Compact design and solid construction
- Quiet operation with low energy usage
- Reliable continuous duty or intermittent operation
- Thermal overload protection
- Oil free, steady air flow
- Complete with rubber feet and 6' cord
- CUL and UL listed for outdoor use
- Three year warranty

KLC100/KLC120 Specifications:

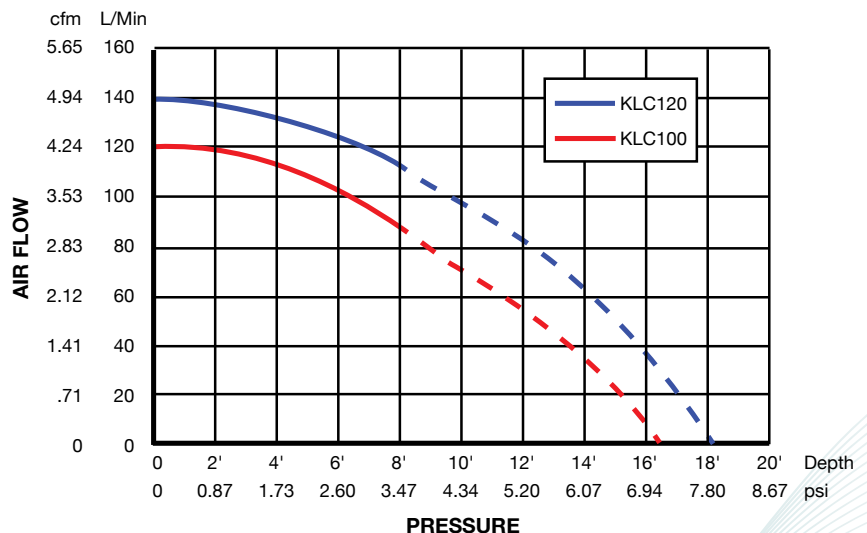
Model	KLC100	KLC120
Rated Voltage	120v	120v
Frequency	60 Hz	60 Hz
Rated Pressure - psi (kgf/cm ²)	2.56 (0.18)	2.85 (0.20)
Rated Air Flow - cfm (l/min)	3.60 (102)	4.38 (124)
Open Flow - cfm (l/min)	4.24 (120)	4.90 (139)
Closed Pressure - psi (kgf/cm ²)	7.1 (0.49)	7.8 (0.54)
Rated Amps	2.70A	2.30A
Power	112W	130W
Noise Level	40 dB	42 dB
Weight - lbs (kg)	18.8 (8.5)	18.8 (8.5)
Outlet Diameter - inches (mm)	0.71 (18)	1.02 (26)
Dimensions - inches (mm)	7.8 w x 10.97 l x 9.37 h (198x278x238)	

Specifications are subject to change without notice. Information presented is based on test results from nominal units

KLC100/KLC120 Dimensions:



KLC100/KLC120 Performance Curve:



Operation in dashed region will require more frequent replacement of diaphragms