

SELF-PRIMING EXTERNAL PUMP

Low Head Pressure



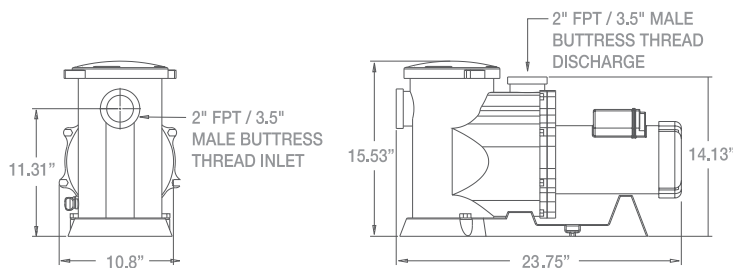
EXP Series - EXP3200

The all-in-one! The EXP Series integrates a basket-type pre-filter and self-priming capabilities into one efficient package for trouble free operation.

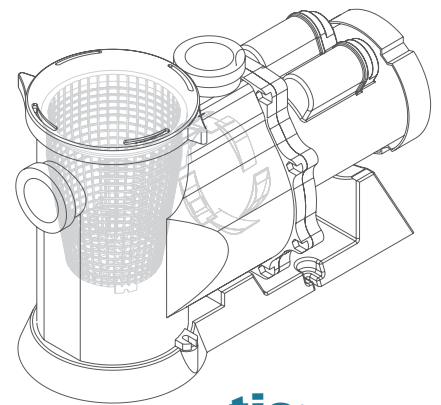
An internal diffuser allows for displacement of trapped air, allowing the pump to continue moving water for a short period of time, even when there is some air in the line. This provides a small cushion of comfort to the owners should the water level drop below the intake point.

- Self-priming
- Integrated 90 cubic inch strainer basket helps protect the internal rotating parts of the pump from damage due to external debris
- Simple cover allows for quick cleaning and replacement.
- Motor is totally enclosed and fan cooled for durability.
- Dual voltage: supplied with 8 foot, 115 volt power cord that can easily be field changed to 230 volt.
- Includes free 2" inlet/outlet unions
- 3 year limited warranty

Dimensions



**Dimensions and illustrations are approximate and for reference only*



Reliability you can count on!

Pump Protection

High Volume Centrifugal Pump Intake Filters

Heavy duty filters keep out large objects like sticks, fish and weeds so the pump screen doesn't clog as often.

Models to fit 2", 3", 4", 6" and 8" pipe. Includes PVC swing check valve to keep pump primed.



PIF



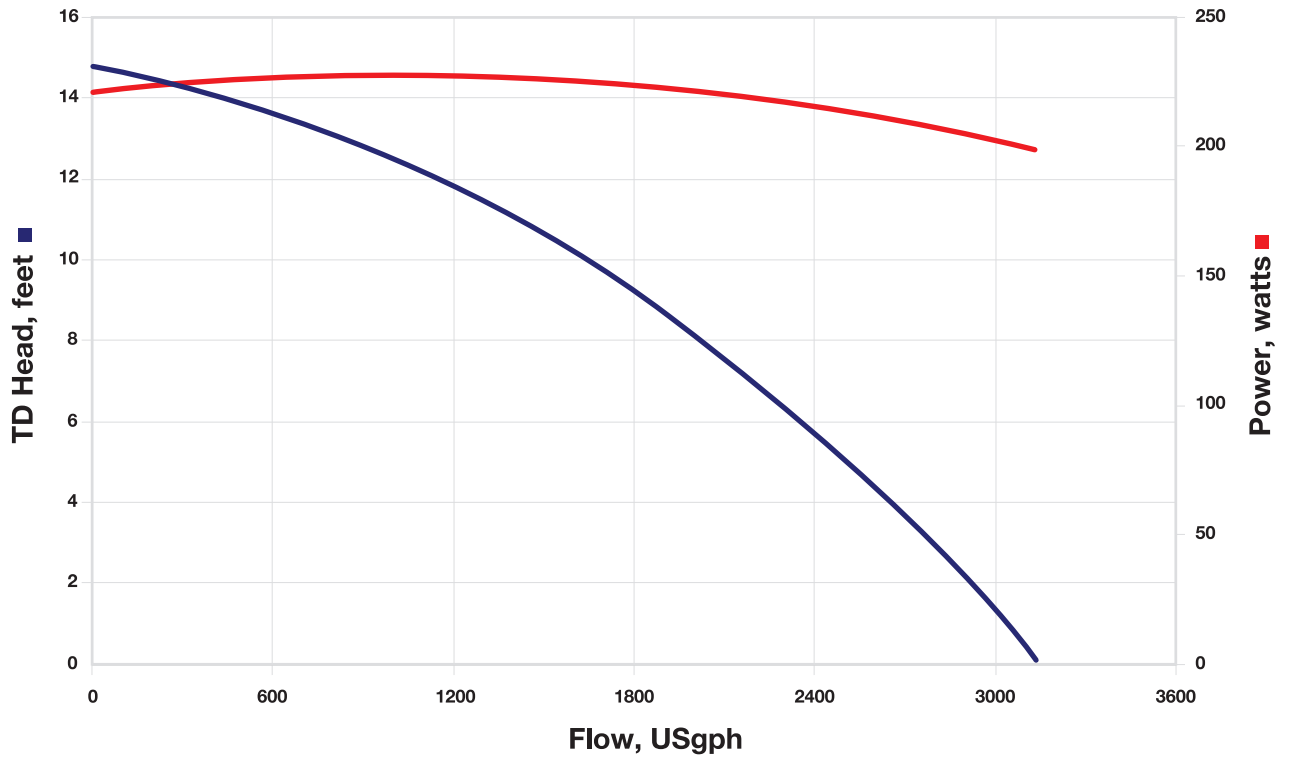
800-448-3873

EASYPRO.COM

EXP PERFORMANCE

THE TUBBERS

Performance



Flow At Total Dynamic Head

Model	Max Flow GPH	Max Head Feet	Max Power Watts	Max Current Amps	Flow	Flow At Total Dynamic Head				Voltage	Motor Enclosure
						5'	10'	15'	20'		
EXP3200	3200	15'	228	2.68/115	GPM	42	27	-	-	115	TEFC
					GPH	2520	1620	-	-		

Reliability you can count on!

Distributed by

Get the right pump for the job

Call our technical advisors and we'll walk you through it, helping you make the best choice for your application.