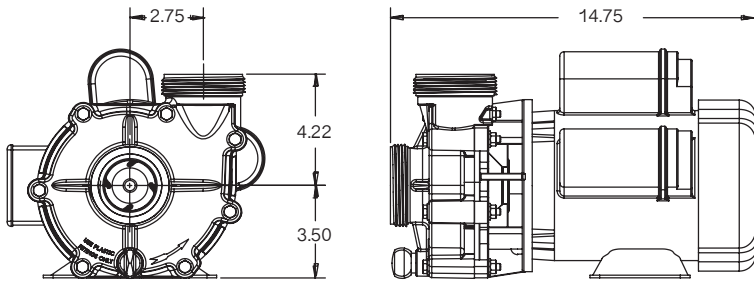
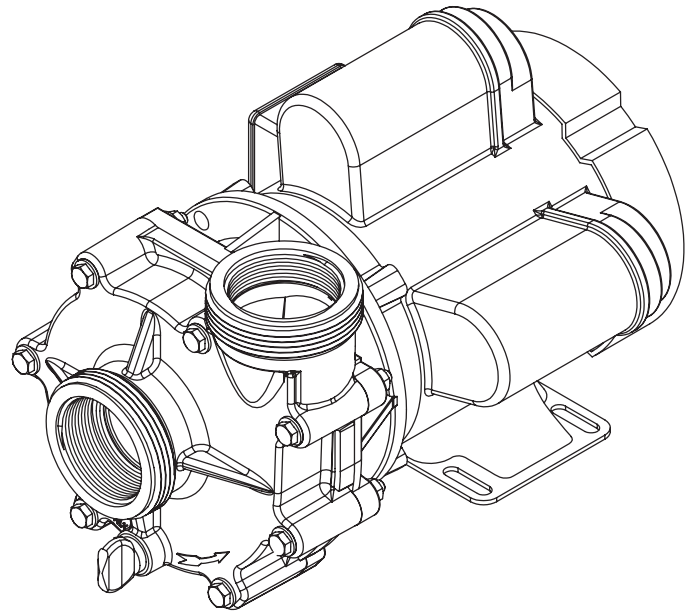


## EX Series - EX8800

This expansive design will meet today's increased market demand for performance on all levels. Peak performance of 8220 gallons per hour while only requiring 450 watts! The EX8800 is supplied complete with 2" FPT and buttress thread ports and unions for ease of use. 3 year limited warranty. Made in USA. Supplied with an 8-foot, 115V powercord.



\*Dimensions and illustrations are approximate and for reference only



Flow At Total Dynamic Head

Model	Max Flow GPH	Max Head Feet	Max Power Watts	Max Current Amps	Flow	Flow At Total Dynamic Head				Voltage	Motor Enclosure
						5'	10'	15'	20'		
EX8800	8220	22.3'	450	4.0	GPM	120	103	84	48	115	TEFC
Inlet & Discharge 2" union or fpt					GPH	7200	6180	5040	2880		

