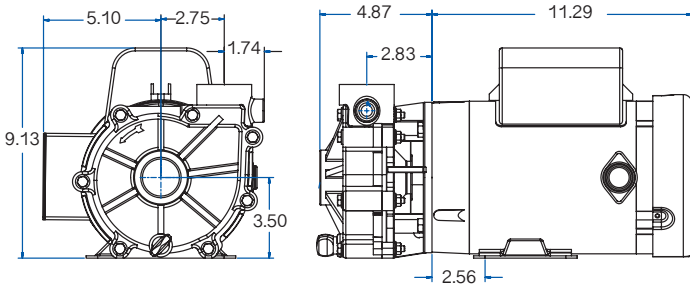
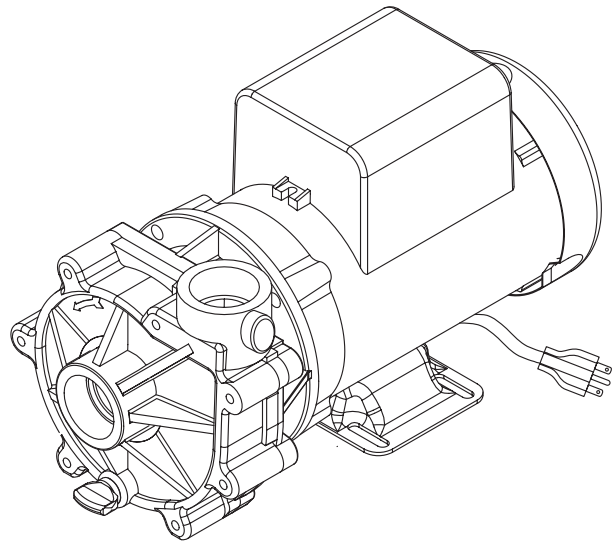


## EX Series - EX8500

For the application that demands high performance, we offer the EX Series External High Head Pumps with abundant flow and pressure. These pumps put the horsepower and efficiency into the pressure side of the performance requirement but maintains flow rates that will meet the most challenging of scenarios. Motor is totally-enclosed, fan-cooled for durability. 115V or 230 volt. 3 year limited warranty. Made in USA. Supplied with an 8-foot, 230V power cord.



\*Dimensions and illustrations are approximate and for reference only



Flow At Total Dynamic Head

Model	Max Flow GPH	Max Head Feet	Max Power Watts	Max Current Amps	Flow	Flow At Total Dynamic Head				Voltage	Motor Enclosure
						20'	30'	40'	50'		
EX8500	8500	55'	1385	5.38	GPM	116	100	80	51	230	TEFC
					GPH	6960	6000	4800	3060		

