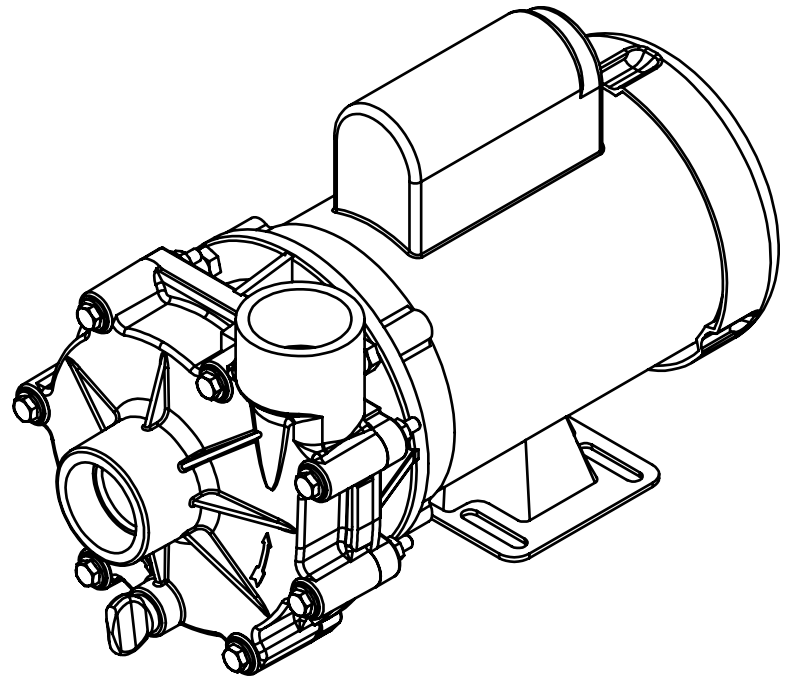
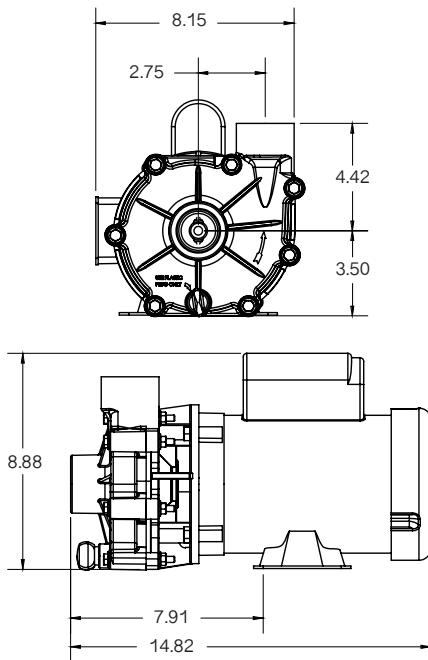




EX Series - EX6100

The EX Series has set the standard by which all others are measured. Perfect blend of medium pressure and ample flow for the majority of ponds. Motor is totally-enclosed, fan-cooled for durability. 115V or 230V. 18 month limited warranty. Supplied with an 8-foot, 115V powercord. Made in USA.



Flow At Total Dynamic Head

Model	Max Flow GPH	Max Head Feet	Max Power Watts	Max Current Amps	Flow	Flow At Total Dynamic Head				Voltage	Motor Enclosure
						5'	10'	15'	20'		
EX6100	6100	23'	344	3	GPM	92	79	65	40	115	TEFC
Inlet & Discharge 1 1/2" fpt					GPH	5520	4740	3900	2400		

