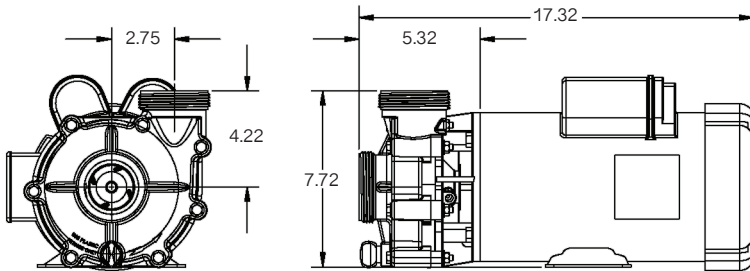
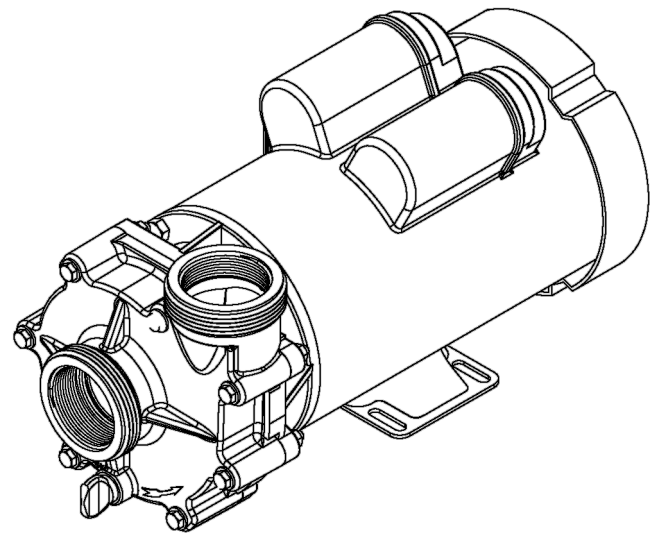


EX Series - EX11200

For the application that demands high performance, we offer the EX Series External High Head Pumps with abundant flow and pressure. These pumps put the horsepower and efficiency into the pressure side of the performance requirement but maintains flow rates that will meet the most challenging of scenarios. Motor is totally-enclosed, fan-cooled for durability. 115V or 230 volt. Three year limited warranty. Made in USA. Supplied with an 8-foot, 230V power cord.



*Dimensions and illustrations are approximate and for reference only



Flow At Total Dynamic Head

Model	Max Flow GPH	Max Head Feet	Max Power Watts	Max Current Amps	Flow	40'	50'	60'	70'	75'	Voltage	Motor Enclosure
EX11200	11160	80'	2162	9.6	GPM	138	122	102	75	53	230	TEFC
Inlet & Discharge 2" fpt or 2" slip with unions (included)					GPH	8280	7320	6120	4500	3180		

