

EBD4 - 4" Bottom Drain



4" Bottom Drain Installation Instructions for EBD4

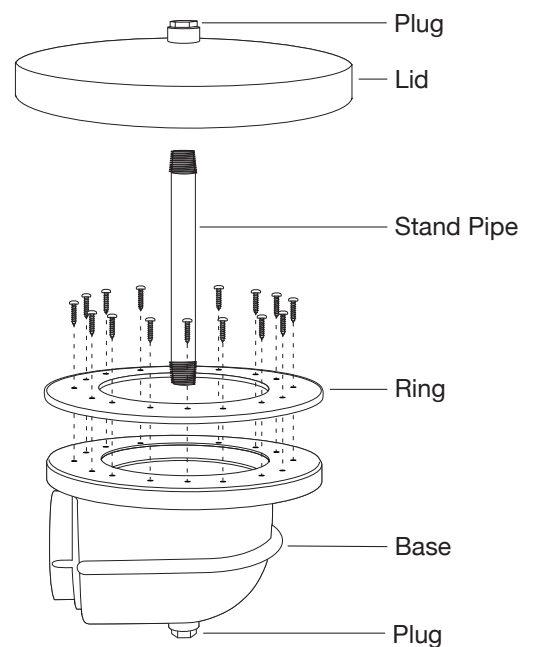
Thank you for purchasing an EasyPro Bottom Drain. Following are a few simple instructions to help you during the installation process.

EBD4 - 4" Bottom Drain without Air Diffuser

Items included:

- EasyPro EBD4 bottom drain (base, ring and lid)
- PVC stand pipe
- 16 stainless steel screws (12 x 1" phillips pan head)
- Two $\frac{3}{4}$ " mpt plugs (installed)

Before installation, please check to ensure you have all the listed parts. If anything is missing, call EasyPro Customer Service at 800-448-3873.

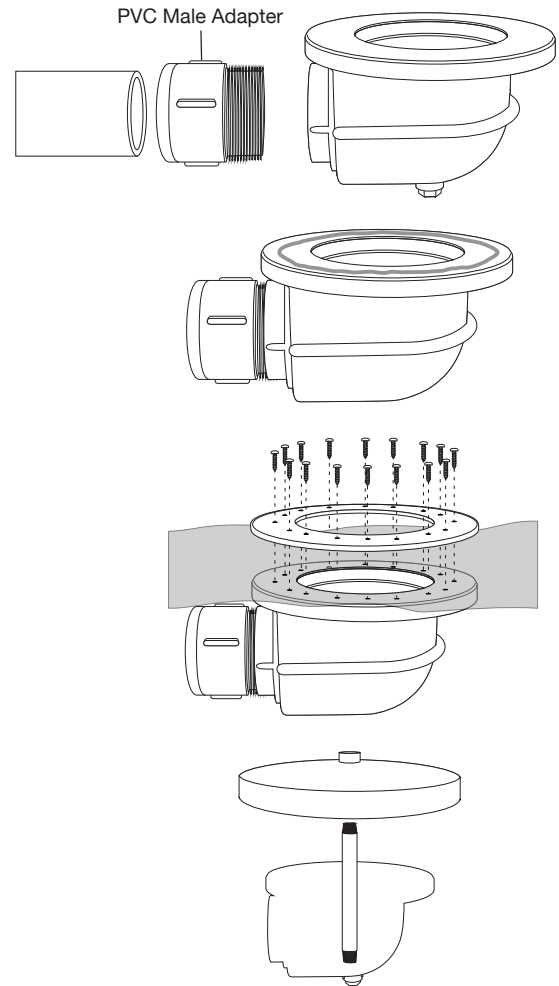


1 Drain base is installed under the liner, usually in the deepest part of the pond. Determine placement and excavate. Bottom drain and plumbing use a PVC 4" male adapter or reducing adapter to connect to PVC pipe (not included). Teflon tape threads of male adapter and tighten securely to prevent leaking.

2 After installing liner, find drain base. Carefully cut an 8" hole in the liner directly above center hole in drain base. Be sure not to cut the hole larger than the center hole in the drain base. Lift the liner up a few inches and inspect the top flange of the drain base. Remove any sand or debris that may have gotten on the flange when pulling the liner into place. Place a thick bead of silicone around the middle of the flange and then lower liner. Be sure underlayment fabric is cut back so it **does not** lay on the drain base - liner needs to lay directly on base.

3 Be sure liner is laying flat (no wrinkles) on drain base. Place mounting ring on liner and center with drain base. There are 16 small indentations on one side of the ring — be sure the indentations face up. Using the screws provided carefully screw mounting ring to drain base. **If using a cordless drill be careful not to overtighten screws!** Ideally a cordless drill is used to start the screw. But to tighten them, a hand screw driver gives you a better feel when screws are tight.

4 Verify that a 3/4" plug has been installed in the bottom of the base and the top of the lid. This prevents pond water from leaking through the stand pipe and into the ground. Thread the PVC stand pipe (no teflon needed) into the base. **Hand tighten only — do not over tighten.** Thread the lid onto the opposite end of the PVC stand pipe. This completes installation of EBD4 bottom drain.



EasyPro Pond Products Limited Warranty

EasyPro Pond Products ("EasyPro") warrants to the purchaser that this product ("Product") will be free from any mechanical or material defects for a period of **one year** from the date of purchase. This warranty only covers properly installed and maintained Products sold by authorized EasyPro Sellers who are subject to and follow EasyPro's quality control standards. Please note that because EasyPro is unable to control the quality of Products sold by unauthorized sellers, unless otherwise prohibited by law, this warranty does not cover Products purchased from unauthorized sellers.

This warranty does not cover normal wear and tear, nor any deterioration suffered through overloading, improper use, negligence, improper installation, acts of God or accident. Similarly, any modification made by the purchaser to the Product will cause the warranty to be null and void. This warranty does not cover any cost associated with the installation or removal of the Product subject to a warranty claim.

All returned items will be inspected to determine cause of failure before a warranty claim is approved. The exclusive remedies provided hereunder shall, upon EasyPro's inspection and option, be either repair or replacement of the Product or parts covered under this warranty.

Making a Claim: A Return Authorization ("RA") number must first be obtained by calling EasyPro at 800-448-3873 or via email at warranty@easypro.com. It is the purchaser's responsibility to pay the return shipping charges. Be sure to include the RA number, original receipt (in the form of an invoice or sales receipt), your name, your return address and your phone number inside of the package. No warranty claims will be honored without the original receipt that shows that your purchase was made from an Authorized EasyPro Seller. Ensure the product is properly packaged and insured for the replacement value. Damage due to improper packaging is the responsibility of the sender.

ALL OTHER EXPRESS OR IMPLIED WARRANTIES INCLUDING MERCHANTABILITY OF FITNESS FOR A PARTICULAR PURPOSE ARE HEREBY LIMITED IN DURATION TO THE DURATION OF THE WARRANTY AS DESCRIBED ABOVE. Some States do not allow limitations on how long an implied warranty lasts, so the above limitations may not apply to you.

EasyPro shall not be held liable for any damages caused by defective components or materials of this Product; or for loss incurred because of the interruption of service; or any consequential/incidental damages and expenses arising from the production, sale, use or misuse of this Product. Some States do not allow the exclusion or limitation of incidental or consequential damages, so the above limitation or exclusion may not apply to you.

EasyPro shall not be held liable for any loss of fish, plants or any other livestock as a result of any failure or defect of this Product. This warranty gives you specific legal rights, and you may also have other rights that vary from State to State.

