

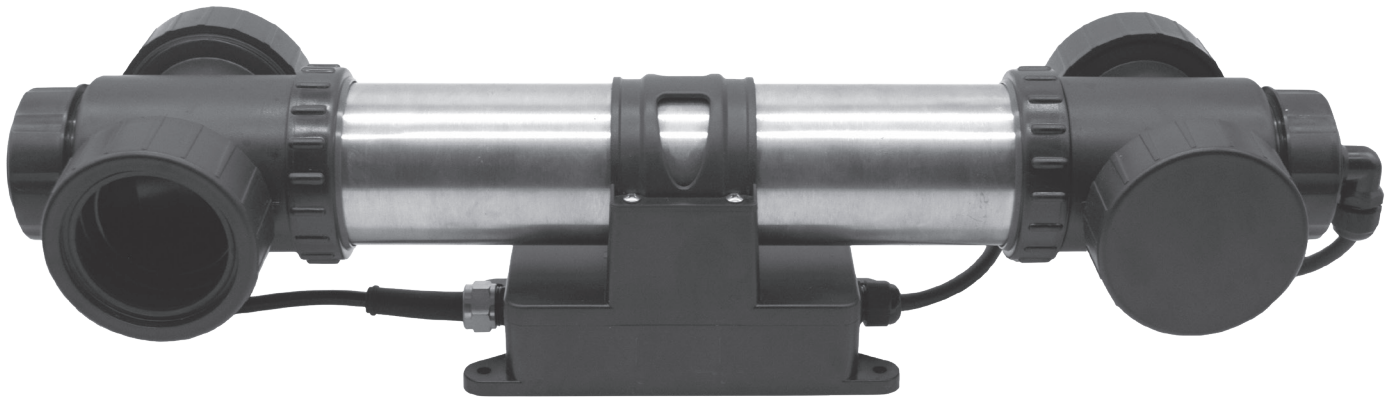


PRO-CLEAR™ UV ULTRA

Commercial UV Clarifier

Instructions for Operation • Safety • Warranty

Thank you for purchasing the Pro-Clear™ Ultra UV Clarifier. Used with care, this product can provide years of service. Ultraviolet light is a wavelength of light that inhibits algae growth from reproducing. Ultraviolet light is not designed to kill string algae. Please read this instruction booklet carefully before use to assure that you safely and correctly use this product.



PART #	DESCRIPTION	MAXIMUM FLOW	MAXIMUM POND SIZE*	QTY / SIZE BULB	CORD LENGTH	DIMENSIONS (H x W x D)
PCU35W	35 Watt UV Transformer	2800 GPH	4800 Gallons	1 / 35 Watt	16'	5" x 22" x 8"
PCU55W	55 Watt UV Transformer	3600 GPH	7500 Gallons	1 / 55 Watt	16'	5" x 27" x 8"
PCU75W	75 Watt UV Transformer	4800 GPH	10000 Gallons	1 / 75 Watt	16'	5" x 37" x 8"
PCU110W	110 Watt UV Transformer	6500 GPH	14000 Gallons	2 / 55 Watt	16'	5" x 27" x 18"
PCU150W	150 Watt UV Transformer	6500 GPH	19000 Gallons	2 / 75 Watt	16'	5" x 37" x 18"
PCU225W	225 Watt UV Transformer	9000GPH	24000 Gallons	3 / 75 Watt	16'	5" x 37" x 27"

*Fish load, filtration capacity and other factors affect actual maximum pond size

Safety & Warnings

1. Be sure to read and follow ALL safety instructions.
2. Always disconnect the electrical supply before handling, maintaining, repairing or installing any pond equipment. Do NOT immerse or attempt to use a wet plug.
3. **WARNING: Risk of electric shock.** Install unit only to a covered Class A 115 volt GFCI protected receptacle that is weatherproof with the power unit connected to the receptacle.
4. **CAUTION:** This unit is NOT submersible. NEVER immerse unit in water.
5. This unit has not been approved for use in swimming pools or spas.
6. Do NOT use if power cord is damaged. Damaged cords should be repaired or replaced.
7. **DANGER:** Do NOT operate the UV bulb outside of the unit. UV radiation can be harmful to skin and eyes.
8. All electrical work must be performed by a qualified technician. Always follow the National Electrical Code (NEC) or the Canadian Electrical Code (CEC) as well as all local, state and provincial codes. Code questions should be directed to your local electrical inspector. Failure to follow electrical codes and OSHA safety standards may result in personal injury or equipment damage. Failure to follow the manufacturer's installation instructions may result in electrical shock, fire hazard, personal injury or death, damaged equipment, provide unsatisfactory performance and may void manufacturer's warranty.

Installation & Operation



WARNING: Disconnect the unit from power source before performing any maintenance or installation on the unit.

Initial Installation of Unit

Choose a spot to mount your Commercial UV Clarifier. The unit can be installed horizontally or vertically on a wall or flat level surface above ground. Horizontal installation is preferred since the chamber is more likely to remain flooded with water.



Do not install unit on the ground where water may puddle. Do not submerge the UV unit.

Your UV clarifier should be easily accessible and all units should have enough clearance to change the UV bulb and quartz sleeve. The UV should be installed after the filter on the return line. This helps to clear the water of debris and impurities before it passes through the UV clarifier. The UV may be installed before the filter, however it will take longer for the UV to take effect and you risk breakage of quartz sleeve and bulb should debris enter the chamber before your filter.

Ensure that plumbing and UV unit are properly supported. Unsupported plumbing and UV units can cause breakage and leaking of the unit and fittings.

Connect pipe to the fittings provided. PVC pipe connectors must be glued. Depending on your unique plumbing configuration additional plumbing supplies may be needed.

Refer to next page for UV bulb and quartz sleeve replacement instructions.

Operation of UV

Make sure the unit is mounted and supported securely before operation. After plumbing unit

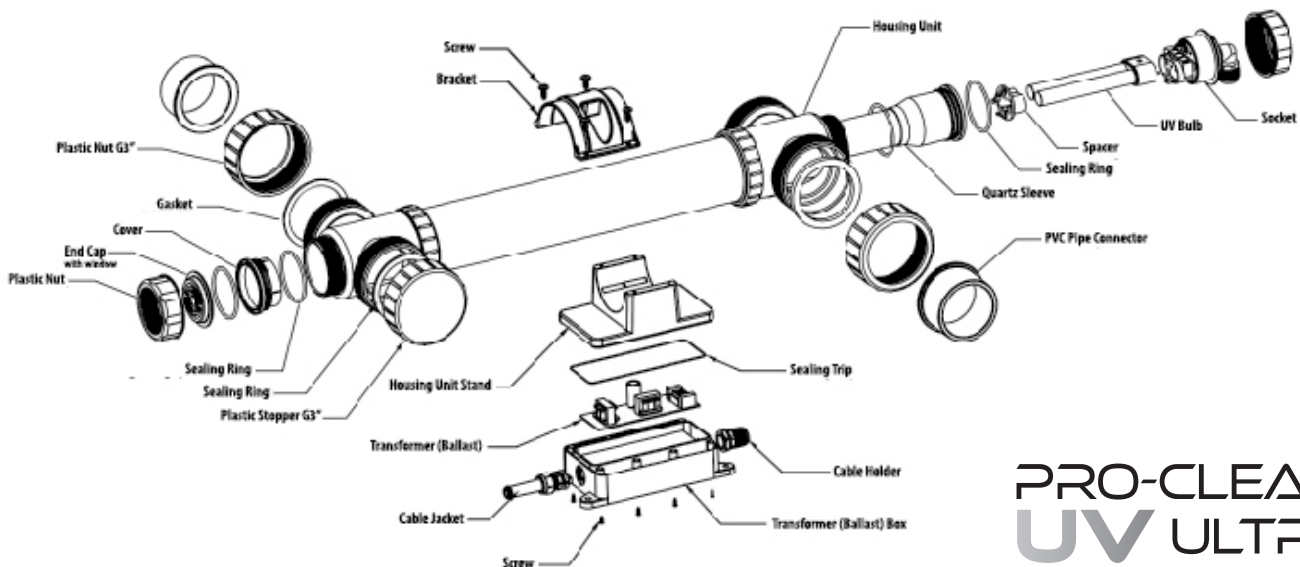
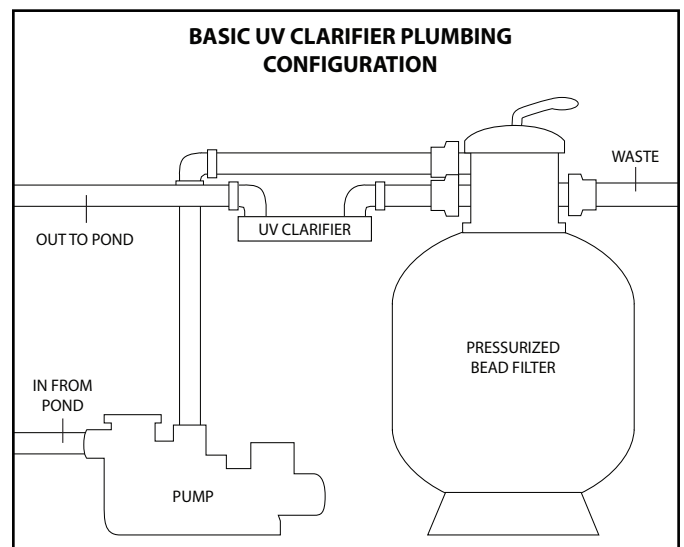
perform a leak test before operating the UV bulb. (See steps in UV bulb replacement instructions.)

The UV should be shut off if the pump is not running. A by-pass system can be installed and used for winterization, during fish treatments or in high flow applications where not all flow needs to go through the UV clarifier.

A properly sized UV system, installed after the filter should clear the water in three to five days. String algae in the stream or on the pond bottom and sides will not be affected by the UV. This is normal in any pond system, the UV only affects algae that can pass through the unit.

Winterizing

In cold weather climates the UV must be shut down for the winter. Unplug unit, turn pump off and drain housing. Disconnect unit from your system and store inside. Store the bulb separately to avoid breakage.



PRO-CLEAR™
UV ULTRA

UV Installation & Maintenance



WARNING: Disconnect the unit from power source before performing any maintenance or installation on the unit.

CAUTION: Do NOT operate or handle the UV bulb outside of the housing.

Ultraviolet radiation is harmful to eyes and skin and can cause serious injury.

Note: UV bulb and quartz sleeve should be handled carefully. These parts are not warranted for breakage or damage. For servicing bulbs or sleeves, after previous use, be sure to drain water from the UV housing.

Replacing the UV Bulb

1. Unscrew threaded cap from unit. (FIGURE 1)
2. Slide UV bulb partially out of the unit. Disconnect the socket from the bulb by compressing the metal tabs in the socket and gently rocking and slowly pulling the bulb from the socket. (FIGURE 2)
3. Remove the bulb from the unit. Disconnect the spacer from end of old bulb and secure it to the end of new bulb. (FIGURE 3)

NOTE: The PCU75 uses a different style bulb that does not require this spacer.

4. Insert new bulb into the housing, leaving approximately 4" outside of the unit. Be sure to insert bulb straight and avoid angles, as this can damage the quartz sleeve. Do NOT force bulb in the unit. (FIGURE 4)

NOTE: Do NOT touch the bulb with your bare fingers, as this will shorten the life of the bulb. Use gloves or a cloth to hold the bulb. Clean the bulb with denatured alcohol and a clean, soft cloth if you do happen to touch the bulb.

5. Securely connect the socket to the bulb. Line up socket hole and safety pin (FIGURE 5) located on the inside of the quartz sleeve and insert bulb fully into the unit.
6. Hand tighten the threaded cap back onto the unit, making sure not to overtighten. Double check to make sure all threaded fittings are tight. (FIGURE 6)
7. Before turning the UV unit back on, let the water run for a few minutes to ensure there are no leaks.
8. Once no leaks have been detected, plug the transformer (ballast) into a GFCI outlet.

Replacing or Cleaning the Quartz Sleeve

1. Follow steps one through three from UV bulb installation above.
2. Carefully remove the quartz sleeve from the housing.
3. To clean the quartz sleeve, various deposit removal cleaners can be used (vinegar, CLR, Lime-Away, etc.) DO NOT use any abrasive products as it may scratch the sleeve. Rinse thoroughly.
4. To replace or reinstall the quartz sleeve, simply insert the new sleeve back into the housing, being sure the end is seated properly in the end of the unit. (FIGURE 7)
5. Follow steps four through eight for reinstalling UV bulb, securing the unit and testing for leaks from the above UV bulb installation instructions.



FIGURE 1

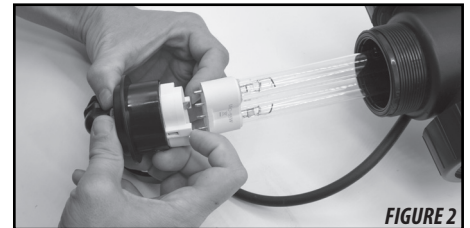


FIGURE 2

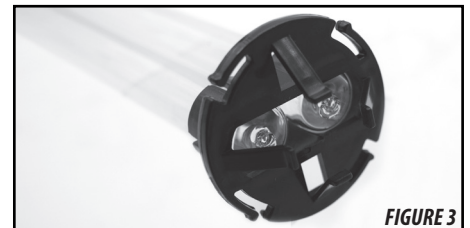


FIGURE 3



FIGURE 4

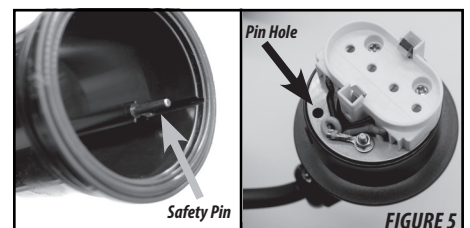


FIGURE 5



FIGURE 6

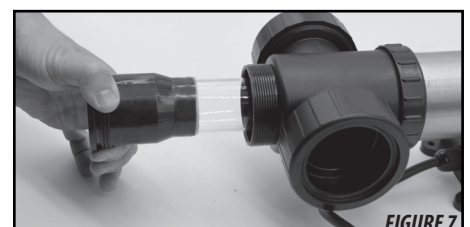
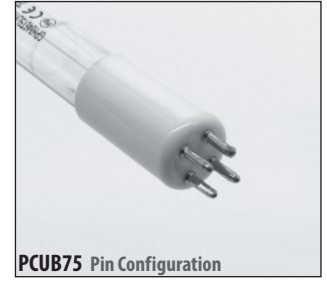


FIGURE 7

Replacement Parts

PART #	DESCRIPTION	DIMENSIONS
PCUT35	35 Watt UV Transformer	8" H x 4" W x 3.75" D
PCUS35	35 Watt UV Sleeve	2" W x 18.5" L
PCUB35	35 Watt UV Bulb	1.5" W x 0.75" D x 18.5" L
PCUT55	55 Watt UV Transformer	8" H x 4" W x 3.75" D
PCUS55	55 Watt UV Sleeve	2" W x 23" L
PCUB55	55 Watt UV Bulb	1.5" W x 0.75" D x 21" L
PCUT75	75 Watt UV Transformer	8" H x 4" W x 3.75" D
PCUS75	75 Watt UV Sleeve	2" W x 33.5" L
PCUB75	75 Watt UV Bulb	0.5" W x 0.75" D x 33.5" L



Frequently Asked Questions

Does the UV kill beneficial bacteria?

Ultraviolet light does not discriminate about what it destroys. When adding bacteria treatments, shut the UV off for at least 24 hours to allow bacteria to colonize.

Should I install my UV vertically or horizontally?

The UV can be installed either way. Inlet and outlet directions can also be changed to best fit your application.

How often should I change my UV bulb?

The bulb should be changed after 9000 hours of continuous use, or about one year. The bulb may still light but the ultraviolet effectiveness diminishes.

Is the UV harmful to fish?

No, if properly installed and operated the UV unit is completely safe for humans and fish. UV light only affects microorganisms that pass through the UV chamber.

EasyPro® Pond Products Limited Warranty

EasyPro Pond Products ("EasyPro") warrants to the purchaser that this product ("Product") will be free from any mechanical or material defects for a period of:

Housing: **Five years** from the date of purchase.

Transformer, Sleeve, Bulb: **One year** from the date of purchase. Broken UV bulbs or sleeves are not covered under this limited warranty. This warranty only covers properly installed and maintained Products sold by authorized EasyPro Sellers who are subject to and follow EasyPro's quality control standards. Please note that because EasyPro is unable to control the quality of Products sold by unauthorized sellers, unless otherwise prohibited by law, this warranty does not cover Products purchased from unauthorized sellers.

This warranty does not cover normal wear and tear, nor any deterioration suffered through overloading, improper use, negligence, improper installation, acts of God or accident. Similarly, any modification made by the purchaser to the Product will cause the warranty to be null and void. This warranty does not cover any cost associated with the installation or removal of the Product subject to a warranty claim.

All returned items will be inspected to determine cause of failure before a warranty claim is approved.

The exclusive remedies provided hereunder shall, upon EasyPro's inspection and option, be either repair or replacement of the Product or parts covered under this warranty.

Making a Claim: A Return Authorization ("RA") number must first be obtained by calling EasyPro at 800-448-3873 or via email at warranty@easypro.com. It is the purchaser's responsibility to pay the return shipping charges. Be sure to include the RA number, original receipt (in the form of an invoice or sales receipt), your name, your return address and your phone number inside of the package. No warranty claims will be honored without the original receipt that shows that your purchase was made from an Authorized EasyPro Seller. Ensure the product is properly packaged and insured for the replacement value. Damage due to improper packaging is the responsibility of the sender.

ALL OTHER EXPRESS OR IMPLIED WARRANTIES INCLUDING MERCHANTABILITY OF FITNESS FOR A PARTICULAR PURPOSE ARE HEREBY LIMITED IN DURATION TO THE DURATION OF THE WARRANTY AS DESCRIBED ABOVE. Some States do not allow limitations on how long an implied warranty lasts, so the above limitations may not apply to you.

EasyPro shall not be held liable for any damages caused by defective components or materials of this Product; or for loss incurred because of the interruption of service; or any consequential/incidental damages and expenses arising from the production, sale, use or misuse of this Product. Some States do not allow the exclusion or limitation of incidental or consequential damages, so the above limitation or exclusion may not apply to you.

EasyPro shall not be held liable for any loss of fish, plants or any other livestock as a result of any failure or defect of this Product. This warranty gives you specific legal rights, and you may also have other rights that vary from state to state.

