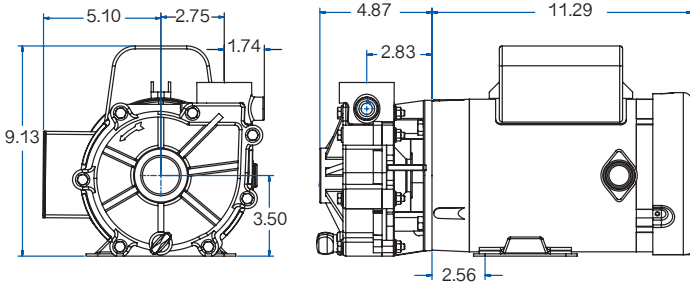
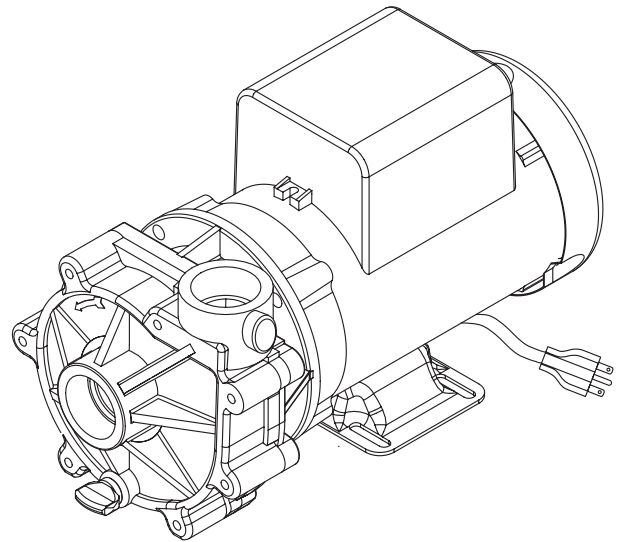


EX Series - EX11000

For the application that demands high performance, we offer the EX Series External High Head Pumps with abundant flow and pressure. These pumps put the horsepower and efficiency into the pressure side of the performance requirement but maintains flow rates that will meet the most challenging of scenarios. Motor is totally-enclosed, fan-cooled for durability. 115V or 230 volt. 3 year limited warranty. Made in USA. Supplied with an 8-foot, 230V power cord.



*Dimensions and illustrations are approximate and for reference only



Flow At Total Dynamic Head

Model	Max Flow GPH	Max Head Feet	Max Power Watts	Max Current Amps	Flow	30'	40'	50'	60'	70'	Voltage	Motor Enclosure
EX11000	11000	72'	2056	8.58	GPM	143	125	106	80	33	230	TEFC
Inlet & Discharge 1 1/2" fpt					GPH	8580	7500	6360	4800	1980		

