



ECO-Series®

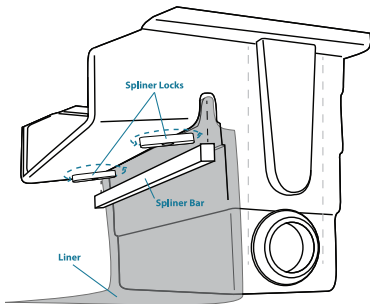
Installation Instructions for Waterfall Spillways



Faux stone lip is available for CF18E & CF23E

Thank you for purchasing the Eco-Series® Waterfall Spillway. You are about to experience the Eco-Series® difference in water feature products, components that are simply designed for the do-it-yourselfer. The simple design of all Eco-Series® products provides you with reliable, trouble-free installation and maintenance for all your water feature designs.

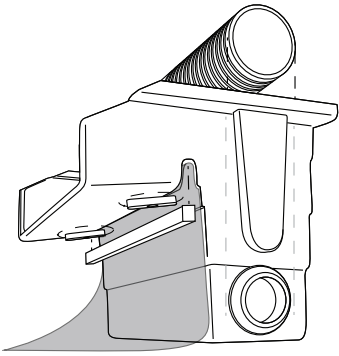
Eco-Series® Waterfall Spillways are a great, easy-to-install, affordable way of adding a water feature to your home. The spillways are most often used in conjunction with the pondless pump vault. The spillways are available in four different sizes, 18", 23", 34" and 48". Each one comes equipped with a 2" threaded port on either side. The inside has a 4" diffuser pipe that rests in the bottom of the spillway. Rock can be added directly on top of the diffuser pipe to hide the spillway and to blend into the natural surroundings.



STEP ONE

Make sure the ground under the waterfall spillway is level front to back and side to side and compacted well. If soil is not compacted, the spillway may settle causing water to leak out the backside.





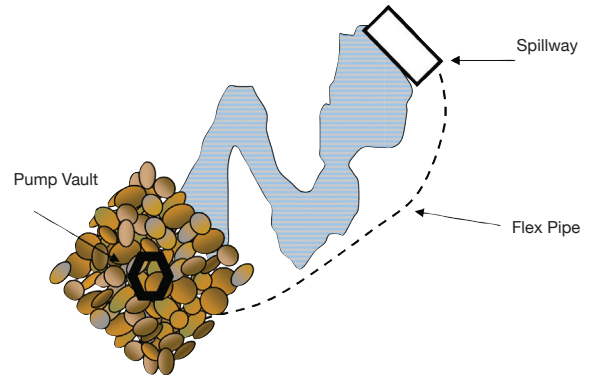
STEP TWO

Set the spillway at the desired height. Pull the liner up and fold over the Spliner Bar. Be sure not to pull the liner tight. Leave enough liner loose to make a nice slow bend into the stream. Insert the liner wrapped Spliner Bar into the channel and secure in place with the Spliner Lock System.

STEP THREE

Run the pipe from the pump up along side of the stream to the spillway.

Install the threaded 2" male adapter into one of the ports. Install the 2" plug into the unused port, on the opposite side of the spillway. Use silicone or Teflon tape on threads to ensure water tight seal. Glue the flex pipe into the male adapter on the spillway and hold together until the glue hardens.



STEP FOUR

Bury the pipe and finish off the stream with rocks and flagstone for the desired look. Remember that the best look is one that twists and turns, widens and narrows similar to nature. Use various size rocks throughout the stream for the most natural look.



FILTER MEDIA KIT

The 18" and 23" spillways have a conversion kit to include filter media

- Not intended to replace a proper filter, but rather supplement existing filtration
- Aids in sediment removal from the water
- Includes PVC diffuser pipe, two mesh bags of media and a strip of 2" solids filter media



EasyPro Pond Products Limited Warranty

EasyPro Pond Products ("EasyPro") warrants to the purchaser that this product ("Product") will be free from any mechanical or material defects for a period of **five years** from the date of purchase. This warranty only covers properly installed and maintained Products sold by authorized EasyPro Sellers who are subject to and follow EasyPro's quality control standards. Please note that because EasyPro is unable to control the quality of Products sold by unauthorized sellers, unless otherwise prohibited by law, this warranty does not cover Products purchased from unauthorized sellers.

This warranty does not cover normal wear and tear, nor any deterioration suffered through overloading, improper use, negligence, improper installation, acts of God or accident. Similarly, any modification made by the purchaser to the Product will cause the warranty to be null and void. This warranty does not cover any cost associated with the installation or removal of the Product subject to a warranty claim.

All returned items will be inspected to determine cause of failure before a warranty claim is approved. The exclusive remedies provided hereunder shall, upon EasyPro's inspection and option, be either repair or replacement of the Product or parts covered under this warranty.

Making a Claim: A Return Authorization ("RA") number must first be obtained by calling EasyPro at 800-448-3873 or via email at warranty@easypro.com. It is the purchaser's responsibility to pay the return shipping charges. Be sure to include the RA number, original receipt (in the form of an invoice or sales receipt), your name, your return address and your phone number inside of the package. No warranty claims will be honored without the original receipt that shows that your purchase was made from an Authorized EasyPro Seller. Ensure the product is properly packaged and insured for the replacement value. Damage due to improper packaging is the responsibility of the sender.

ALL OTHER EXPRESS OR IMPLIED WARRANTIES INCLUDING MERCHANTABILITY OF FITNESS FOR A PARTICULAR PURPOSE ARE HEREBY LIMITED IN DURATION TO THE DURATION OF THE WARRANTY AS DESCRIBED ABOVE. Some States do not allow limitations on how long an implied warranty lasts, so the above limitations may not apply to you.

EasyPro shall not be held liable for any damages caused by defective components or materials of this Product; or for loss incurred because of the interruption of service; or any consequential/incidental damages and expenses arising from the production, sale, use or misuse of this Product. Some States do not allow the exclusion or limitation of incidental or consequential damages, so the above limitation or exclusion may not apply to you.

EasyPro shall not be held liable for any loss of fish, plants or any other livestock as a result of any failure or defect of this Product. This warranty gives you specific legal rights, and you may also have other rights that vary from State to State.

