



# Bottom Drain Kits

## Installation Instructions for BDK2A, BDK2N, BDK3A, BDK3N

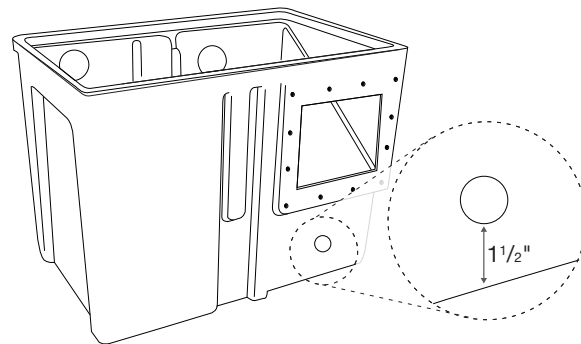
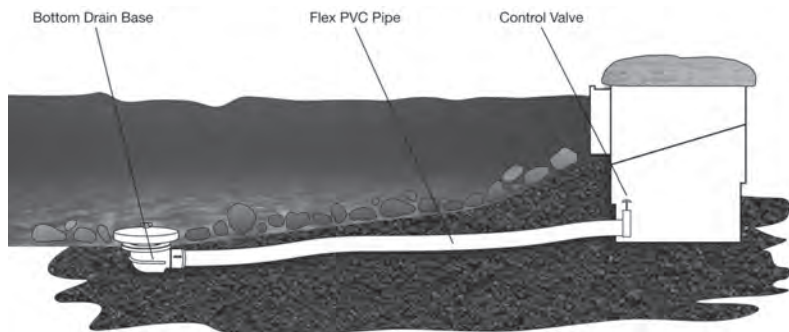
The EasyPro bottom drain kits include a bottom drain and necessary fittings for connection to a pond skimmer.

Items included in BDK2A/BDK2N kits:

- Bottom drain unit
- 3" PVC elbow
- 3" x 2" reducer bushing
- 2" PVC male adapter
- 2" Bulkhead fitting
- 2" PVC spigot fitting
- 2" gate valve

Items included in BDK3A/BDK3N kits:

- Bottom drain unit
- 4" fpt x 3" slip PVC reducer
- 3" PVC male adapter
- 3" Bulkhead fitting
- 3" PVC half nipple
- 3" gate valve



The flex PVC pipe needed to install this kit is not included since the size of the pond can vary greatly. You will need to supply appropriate amount of flex PVC for your application.

You will need to cut a hole into the front of the skimmer box. 3" for BDK2 or 4<sup>5/8</sup>" for BDK3. Hole is usually centered from left to right and bottom of hole is approximately 1<sup>1/2</sup>" up from bottom of skimmer.

**1** Install bottom drain according to bottom drain instructions.  
**For BDK2 Kits:** Glue the 3" x 2" reducer bushing into the 3" PVC elbow. Glue the 3" PVC elbow to the bottom drain. Glue 2" flex PVC (not included) into 3" x 2" reducer bushing.  
**For BDK3 Kits:** Connect 4" x 3" PVC reducer fitting to bottom drain. Use Teflon tape on threads. Glue 3" flex PVC (not included) into fitting.

**2** After cutting hole in face of skimmer, as shown above, install bulkhead fitting. Be sure gasket and bulkhead are on the inside of the skimmer then tighten the nut onto the bulkhead from the outside of skimmer.

**3** Apply a small amount of silicone or teflon tape to threads on male adapter and tighten it to bulkhead on outside of skimmer. Flex PVC pipe can then be glued into male adapter.

**4** Turn the threaded end of pvc half nipple or spigot fitting into bulkhead fitting on the inside of skimmer (no silicone needed). Glue the PVC valve onto slip end of nipple. Use the valve to control water flow into skimmer from bottom drain. At certain times of the year (like spring when trees are budding or fall when leaves are dropping heavy) you may want to close valve for maximum surface skimming.